

**ML196UHE SERIES UNITS**

ML196UHE series units are high-efficiency gas furnaces manufactured with Lennox DuralokPlus™ aluminized steel clamshell-type heat exchangers, with a stainless steel condensing coil. ML196UHE units are available in heating input capacities of 30,000 to 135,000 Btuh and cooling applications from 1.5 through 5 tons. Refer to Engineering Handbook for proper sizing.


Units are factory equipped for use with natural gas. A kit is available for conversion to LP/Propane operation. All ML196UHE units are equipped with a hot surface ignition system. The gas valve is redundant to assure safety shut-off as required by C.S.A.

The heat exchanger, burners and manifold assembly can be removed for inspection and service. The maintenance section gives a detailed description on how this is done.

All specifications are subject to change. Procedures outlined in this manual are presented as a recommendation only and do not supersede or replace local or state codes.



**⚠ WARNING**



**Electric shock hazard. Can cause injury or death. Before attempting to perform any service or maintenance, turn the electrical power to unit OFF at disconnect switch(es). Unit may have multiple power supplies.**

**Table of Contents**

Specifications .....	2
Optional Accessories .....	3
Blower Performance Data .....	4
I-Unit Components .....	7
II Placement and Installation .....	21
III-Start-Up .....	42
IV-Heating System Service Checks .....	43
V-Typical Operating Conditions .....	47
VI-Maintenance .....	48
VII-Sequence of Operation and Flow Charts .....	51

**⚠ WARNING**

**Improper installation, adjustment, alteration, service or maintenance can cause property damage, personal injury or loss of life. Installation and service must be performed by a licensed professional HVAC installer (or equivalent), service agency or the gas supplier.**

**⚠ CAUTION**

**As with any mechanical equipment, contact with sharp sheet metal edges can result in personal injury. Take care while handling this equipment and wear gloves and protective clothing.**

## SPECIFICATIONS

Gas Heating Performance	Model No.	ML196UH 030XE36B	ML196UH 045XE36B	ML196UH 070XE36B	ML196UH 070XE48B	ML196UH 090XE36C
	<sup>1</sup> AFUE	96%	96%	96%	96%	96%
	Input - Btuh	30,000	44,000	66,000	66,000	88,000
	Output - Btuh	29,000	42,800	63,900	63,900	85,600
	Temperature rise range - °F	25 - 55	35 - 65	35 - 65	30 - 60	45 - 75
	Gas Manifold Pressure (in. w.g.) Nat. Gas / LPG/Propane	3.5 / 10	3.5 / 10	3.5 / 10	3.5 / 10	3.5 / 10
	High static - in. w.g.	0.5	0.5	0.5	0.5	0.5
<b>Energy Star® Certified</b>		Yes	Yes	Yes	Yes	Yes
<b>Connections in.</b>	Intake / Exhaust Pipe (PVC)	2 / 2	2 / 2	2 / 2	2 / 2	2 / 2
	Gas pipe size IPS	1/2	1/2	1/2	1/2	1/2
	Condensate Drain Trap (PVC pipe) - i.d.	3/4	3/4	3/4	3/4	3/4
	with furnished 90° street elbow with field supplied (PVC coupling) - o.d.	3/4 slip x 3/4 Mipt 3/4 slip x 3/4 MPT				
<b>Indoor Blower</b>	Wheel nom. dia. x width - in.	10 x 8	10 x 8	10 x 8	11-1/2 x 10	10 x 8
	Motor Type	DC Brushless	DC Brushless	DC Brushless	DC Brushless	DC Brushless
	Motor output - hp	1/2	1/2	1/2	3/4	1/2
	Tons of add-on cooling	1.5 - 3	1.5 - 3	1.5 - 3	2 - 4	1.5 - 3
	Air Volume Range - cfm	175 - 1435	520 - 1345	550 - 1380	500 - 1710	460 - 1470
<b>Electrical Data</b>	Voltage	120 volts - 60 hertz - 1 phase				
	Blower motor full load amps	6.8	6.8	6.8	8.4	6.8
	Maximum overcurrent protection	15	15	15	15	15
<b>Shipping Data</b>	lbs. - 1 package	120	124	129	XXX	XXX

NOTE - Filters and provisions for mounting are not furnished and must be field provided.

<sup>1</sup> Annual Fuel Utilization Efficiency based on DOE test procedures and according to FTC labeling regulations. Isolated combustion system rating for non-weatherized furnaces.

## SPECIFICATIONS

Gas Heating Performance	Model No.	ML196UH 090XE48C	ML196UH 090XE60C	ML196UH 110XE60C	ML196UH 135XE60D
	<sup>1</sup> AFUE	96%	96%	96%	96%
	Input - Btuh	88,000	88,000	110,000	132,000
	Output - Btuh	85,600	85,600	107,200	127,000
	Temperature rise range - °F	50 - 80	35 - 65	45 - 75	45 - 75
	Gas Manifold Pressure (in. w.g.) Nat. Gas / LPG/Propane	3.5 / 10	3.5 / 10	3.5 / 10	3.5 / 10
	High static - in. w.g.	0.5	0.5	0.5	0.5
<b>Energy Star® Certified</b>		Yes	Yes	Yes	Yes
<b>Connections in.</b>	Intake / Exhaust Pipe (PVC)	2 / 2	2 / 2	2 / 2	2 / 2
	Gas pipe size IPS	1/2	1/2	1/2	1/2
	Condensate Drain Trap (PVC pipe) - i.d.	3/4	3/4	3/4	3/4
	with furnished 90° street elbow with field supplied (PVC coupling) - o.d.	3/4 slip x 3/4 Mipt 3/4 slip x 3/4 MPT			
<b>Indoor Blower</b>	Wheel nom. dia. x width - in.	10 x 10	11 x 11	11-1/2 x 10	11 x 11
	Motor Type	DC Brushless	DC Brushless	DC Brushless	DC Brushless
	Motor output - hp	3/4	1	1	1
	Tons of add-on cooling	2.5 - 4	3-5	3 - 5	3-5
	Air Volume Range - cfm	760 - 1740	XXX	1055 - 2220	1310 - 2400
<b>Electrical Data</b>	Voltage	120 volts - 60 hertz - 1 phase			
	Blower motor full load amps	8.4	10.9	10.9	10.9
	Maximum overcurrent protection	15	15	15	15
<b>Shipping Data</b>	lbs. - 1 package	152	XXX	164	XXX

NOTE - Filters and provisions for mounting are not furnished and must be field provided.

<sup>1</sup> Annual Fuel Utilization Efficiency based on DOE test procedures and according to FTC labeling regulations. Isolated combustion system rating for non-weatherized furnaces.

## OPTIONAL ACCESSORIES

			"B" Width Models	"C" Width Models	"D" Width Models	
<b>CABINET ACCESSORIES</b>						
Horizontal Suspension Kit - Horizontal only			51W10	51W10	51W10	
Return Air Base - Upflow only			50W98	50W99	50W99	
High Performance Economizer (Commercial Only)			10U53	10U53	10U53	
<b>CONDENSATE DRAIN KITS</b>						
Condensate Drain Heat Cable	6 ft.		26K68	26K68	26K68	
	24 ft.		26K69	26K69	26K69	
Crawl Space Vent Drain Kit	US		51W18	51W18	51W18	
	Canada		15Z70	15Z70	15Z70	
<b>CONTROLS</b>						
Blower Relay Kit (for two-stage outdoor units)			85W66	85W66	85W66	
iComfort® M30 Smart Wi-Fi Thermostat			15Z69	15Z69	15Z69	
Remote Outdoor Temperature Sensor			X2658	X2658	X2658	
Twinning Kit			16W72	16W72	16W72	
<b>FILTER KITS</b>						
<sup>1</sup> Air Filter and Rack Kit	Horizontal (end)	Size of filter - in.	87L96 - 18 x 25 x 1	87L97 - 20 x 25 x 1	87L98 - 25 x 25 x 1	
		Side Return	Single	44J22	44J22	44J22
			Ten Pack	66K63	66K63	66K63
			Size of filter - in.	16 x 25 x 1	16 x 25 x 1	16 x 25 x 1
<b>NIGHT SERVICE KIT</b>						
Night Service Kit			84W48	84W48	84W48	
<b>TERMINATION KITS</b>						
See Installation Instructions for specific venting information.						
Termination Kits - Direct Vent Applications Only	Concentric	US - 2 in.	71M80	69M29	---	
		3 in.	---	60L46	60L46	
		Canada - 2 in.	44W92	44W92	---	
		3 in.	---	44W93	44W93	
	Flush-Mount	US - 2, 2-1/2 or 3 in.	51W11	51W11	51W11	
		Canada - 2, 2-1/2 or 3 in.	51W12	51W12	51W12	
	Wall - Close Couple	US - 2 in.	22G44	---	---	
		3 in.	44J40	44J40	44J40	
	Wall - Close Couple WTK	Canada - 2 in.	30G28	---	---	
		3 in.	81J20	81J20	81J20	
Termination Kits - Direct or Non-Direct vent	Roof	2 in.	15F75	15F75	---	
	Wall Ring Kit	2 in.	15F74	<sup>3</sup> 15F74	---	
<sup>2</sup> Roof Termination Flashing Kit - Direct or Non-Direct Vent (2 flashings)			44J41	44J41	44J41	
<b>VENTING</b>						
Flue Coupling			2 in.	17H92	17H92	

<sup>1</sup> Cleanable polyurethane frame type filter.

<sup>2</sup> Kits contain enough parts for two, non-direct vent installations.

<sup>3</sup> Non-direct vent only.

NOTE - Termination Kits (44W92, 44W93, 30G28, 51W12, 51W19, 81J20) and Crawl Space Vent Drain Kit (15Z70) are certified to ULC S636 standard for use in Canada only.

**BLOWER DATA****ML196UH030XE36B PERFORMANCE (Less Filter)**

External Static Pressure in. w.g.	Air Volume / Watts at Various Blower Speeds									
	High		Medium-High		Medium		Medium-Low		Low	
	cfm	Watts	cfm	Watts	cfm	Watts	cfm	Watts	cfm	Watts
0.00	1435	346	1170	191	1000	127	775	62	705	45
0.10	1400	351	1130	199	955	132	735	71	635	48
0.20	1360	358	1085	207	905	137	680	81	515	50
0.30	1325	370	1055	217	865	148	625	84	445	55
0.40	1300	382	1020	227	815	157	570	91	380	61
0.50	1265	387	990	231	785	161	515	95	310	66
0.60	1235	402	945	244	735	168	475	104	265	68
0.70	1200	411	910	253	710	175	425	107	215	72
0.80	1160	420	885	260	660	183	355	114	175	75

**ML196UH045XE36B PERFORMANCE (Less Filter)**

External Static Pressure in. w.g.	Air Volume / Watts at Various Blower Speeds									
	High		Medium-High		Medium		Medium-Low		Low	
	cfm	Watts	cfm	Watts	cfm	Watts	cfm	Watts	cfm	Watts
0.00	1460	335	1285	235	1190	170	910	85	870	75
0.10	1430	350	1260	245	1155	185	885	95	830	85
0.20	1405	365	1235	255	1125	200	860	105	800	90
0.30	1375	370	1205	265	1090	210	825	115	755	95
0.40	1350	380	1175	275	1055	215	780	125	710	105
0.50	1315	385	1145	285	1020	230	735	130	665	115
0.60	1245	375	1110	295	980	240	685	140	620	125
0.70	N/A	N/A	1070	305	940	250	640	145	575	135
0.80	N/A	N/A	1020	310	905	260	600	155	530	140

**ML196UH070XE36B PERFORMANCE (Less Filter)**

External Static Pressure in. w.g.	Air Volume / Watts at Various Blower Speeds									
	High		Medium-High		Medium		Medium-Low		Low	
	cfm	Watts	cfm	Watts	cfm	Watts	cfm	Watts	cfm	Watts
0.00	1445	315	1315	215	1215	165	930	85	925	75
0.10	1445	335	1275	230	1170	180	905	94	860	80
0.20	1415	345	1240	240	1125	190	870	101	800	85
0.30	1380	355	1205	250	1090	200	830	109	760	95
0.40	1345	370	1175	265	1055	210	790	117	710	105
0.50	1315	385	1150	280	1020	220	735	129	665	115
0.60	1275	390	1110	290	985	230	685	137	625	125
0.70	1210	395	1075	300	950	240	640	146	565	130
0.80	N/A	N/A	1030	305	915	250	595	148	535	135

**ML196UH070XE48B PERFORMANCE (Less Filter)**

External Static Pressure in. w.g.	Air Volume / Watts at Various Blower Speeds									
	High		Medium-High		Medium		Medium-Low		Low	
	cfm	Watts	cfm	Watts	cfm	Watts	cfm	Watts	cfm	Watts
0.00	1710	466	1510	305	1330	209	1240	164	1005	104
0.10	1685	477	1485	317	1305	220	1200	178	965	112
0.20	1675	486	1445	331	1250	232	1150	190	885	113
0.30	1640	498	1400	347	1210	246	1095	203	835	123
0.40	1590	518	1370	360	1170	260	1045	215	765	130
0.50	1550	532	1315	374	1135	274	995	225	700	140
0.60	1515	545	1270	392	1070	287	940	238	635	150
0.70	1475	554	1240	402	1015	300	895	247	570	156
0.80	1420	551	1195	419	965	305	835	259	500	172

## BLOWER DATA

### ML196UH090XE36C PERFORMANCE (Less Filter)

External Static Pressure in. w.g.	Air Volume / Watts at Various Blower Speeds									
	High		Medium-High		Medium		Medium-Low		Low	
	cfm	Watts	cfm	Watts	cfm	Watts	cfm	Watts	cfm	Watts
0.00	1470	313	1355	233	1195	171	975	92	895	50
0.10	1445	325	1330	249	1170	184	940	101	855	63
0.20	1430	335	1300	270	1150	196	885	109	735	75
0.30	1385	350	1265	275	1110	206	870	122	680	82
0.40	1370	365	1230	287	1085	217	815	126	640	91
0.50	1340	376	1200	298	1055	226	790	137	595	96
0.60	1300	384	1170	305	1015	231	735	146	565	103
0.70	1280	394	1150	317	985	245	700	152	505	108
0.80	1230	395	1125	328	960	256	665	162	460	117

### ML196UH090XE48C PERFORMANCE (Less Filter)

External Static Pressure in. w.g.	Air Volume / Watts at Various Blower Speeds									
	High		Medium-High		Medium		Medium-Low		Low	
	cfm	Watts	cfm	Watts	cfm	Watts	cfm	Watts	cfm	Watts
0.00	1765	375	1535	250	1410	180	1315	155	1155	115
0.10	1735	390	1500	260	1365	200	1270	165	1130	125
0.20	1700	405	1465	275	1330	215	1230	175	1095	135
0.30	1660	425	1435	290	1295	225	1195	190	1055	145
0.40	1640	435	1400	300	1265	235	1165	200	1010	155
0.50	1615	450	1370	315	1230	250	1125	215	965	165
0.60	1575	465	1340	325	1190	265	1080	230	925	180
0.70	1530	470	1305	340	1150	280	1045	235	885	190
0.80	N/A	N/A	1260	345	1115	285	1000	245	845	195

### ML196UH090XE60C PERFORMANCE (Less Filter)

External Static Pressure in. w.g.	Air Volume / Watts at Various Blower Speeds									
	High		Medium-High		Medium		Medium-Low		Low	
	cfm	Watts	cfm	Watts	cfm	Watts	cfm	Watts	cfm	Watts
0.00	2105	638	1860	431	1705	327	1585	274	1425	203
0.10	2075	652	1820	449	1675	344	1550	287	1380	213
0.20	2050	672	1790	470	1630	363	1505	295	1335	218
0.30	2005	694	1765	485	1590	375	1475	314	1300	233
0.40	1975	701	1715	496	1565	392	1425	325	1230	242
0.50	1960	714	1700	514	1510	405	1395	339	1195	256
0.60	1925	738	1650	530	1480	419	1355	351	1145	268
0.70	1865	745	1610	541	1435	434	1300	366	1110	282
0.80	1830	739	1580	554	1400	445	1270	383	1050	293

## BLOWER DATA

### ML196UH110XE60C PERFORMANCE (Less Filter)

External Static Pressure in. w.g.	Air Volume / Watts at Different Blower Speeds																			
	Bottom Return Air, Side Return Air with Return Air from Both Sides or Return Air from Bottom and One Side.										Single Side Return Air – Air volumes in <b>bold</b> (over 1800 cfm) require Optional Return Air Base <u>and</u> field fabricated transition to accommodate 20 x 25 x 1 in. air filter in order to maintain proper air velocity.									
	High		Med-High		Medium		Med-Low		Low		High		Med-High		Medium		Med-Low		Low	
	cfm	Watts	cfm	Watts	cfm	Watts	cfm	Watts	cfm	Watts	cfm	Watts	cfm	Watts	cfm	Watts	cfm	Watts	cfm	Watts
0.00	2220	655	1975	440	1800	325	1665	390	1050	180	<b>2180</b>	<b>685</b>	<b>1910</b>	<b>460</b>	1750	345	1660	285	1430	195
0.10	2185	680	1925	460	1750	345	1625	285	1440	200	<b>2155</b>	<b>705</b>	<b>1885</b>	<b>480</b>	1720	360	1610	295	1415	205
0.20	2150	705	1880	480	1710	365	1590	300	1390	220	<b>2130</b>	<b>725</b>	<b>1855</b>	<b>495</b>	1685	380	1565	305	1380	220
0.30	2110	720	1850	495	1680	380	1560	320	1350	230	<b>2085</b>	<b>745</b>	<b>1825</b>	<b>510</b>	1655	390	1535	325	1335	230
0.40	2080	735	1810	520	1650	405	1515	330	1310	245	<b>2060</b>	<b>760</b>	1795	530	1625	405	1495	340	1295	245
0.50	2045	755	1785	530	1610	415	1470	350	1265	255	<b>2030</b>	<b>775</b>	1765	545	1585	425	1450	355	1255	265
0.60	2010	775	1740	545	1575	430	1440	370	1220	270	<b>1995</b>	<b>785</b>	1725	565	1550	435	1420	370	1205	275
0.70	1980	790	1705	565	1525	450	1400	375	1170	280	<b>1960</b>	<b>795</b>	1690	575	1505	455	1385	385	1165	290
0.80	1950	795	1670	580	1485	460	1360	390	1140	293	<b>1895</b>	<b>790</b>	1650	590	1465	470	1335	395	1120	295

### ML196UH135XE60D PERFORMANCE (Less Filter)

External Static Pressure in. w.g.	Air Volume / Watts at Different Blower Speeds																			
	Bottom Return Air, Side Return Air with Return Air from Both Sides or Return Air from Bottom and One Side.										Single Side Return Air – Air volumes in <b>bold</b> (over 1800 cfm) require Optional Return Air Base <u>and</u> field fabricated transition to accommodate 20 x 25 x 1 in. air filter in order to maintain proper air velocity.									
	High		Med-High		Medium		Med-Low		Low		High		Med-High		Medium		Med-Low		Low	
	cfm	Watts	cfm	Watts	cfm	Watts	cfm	Watts	cfm	Watts	cfm	Watts	cfm	Watts	cfm	Watts	cfm	Watts	cfm	Watts
0.00	2400	920	2205	709	2035	513	1800	363	1625	268	<b>2280</b>	<b>929</b>	<b>2100</b>	<b>703</b>	<b>1935</b>	<b>531</b>	1720	368	1550	269
0.10	2370	930	2170	718	1985	524	1760	375	1585	279	<b>2245</b>	<b>941</b>	<b>2075</b>	<b>720</b>	<b>1910</b>	<b>543</b>	1700	380	1530	280
0.20	2345	937	2150	723	1960	552	1725	385	1535	291	<b>2210</b>	<b>957</b>	<b>2050</b>	<b>745</b>	<b>1895</b>	<b>558</b>	1695	396	1500	295
0.30	2305	958	2120	744	1920	565	1690	404	1505	305	<b>2200</b>	<b>978</b>	<b>2030</b>	<b>757</b>	<b>1850</b>	<b>569</b>	1675	408	1475	308
0.40	2275	974	2070	763	1885	576	1665	419	1475	323	<b>2175</b>	<b>990</b>	<b>2015</b>	<b>774</b>	<b>1845</b>	<b>584</b>	1640	427	1450	326
0.50	2230	986	2055	779	1845	593	1620	433	1435	330	<b>2145</b>	<b>989</b>	<b>2010</b>	<b>783</b>	<b>1820</b>	<b>603</b>	1605	446	1410	332
0.60	2195	988	2030	796	1810	614	1590	451	1385	348	<b>2125</b>	<b>980</b>	<b>1990</b>	<b>809</b>	1785	618	1580	455	1375	351
0.70	2125	961	1985	806	1780	626	1545	468	1355	359	<b>2060</b>	<b>937</b>	<b>1960</b>	<b>819</b>	1765	635	1545	474	1340	366
0.80	2065	931	1965	822	1760	642	1500	479	1310	377	<b>1980</b>	<b>912</b>	<b>1925</b>	<b>825</b>	1730	646	1510	491	1295	379

# ML196UHE PARTS IDENTIFICATION

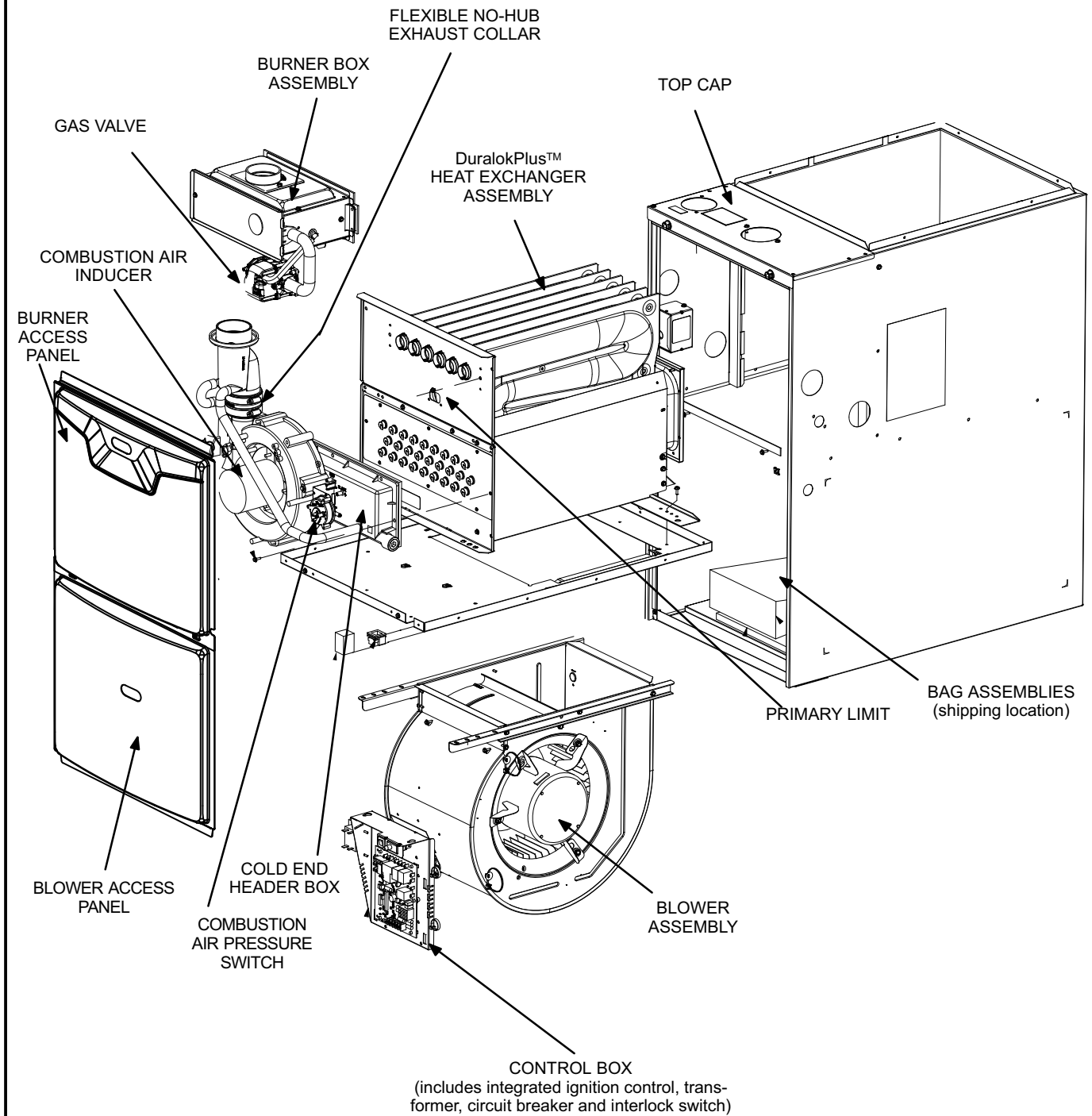


FIGURE 1



# I-UNIT COMPONENTS

## ELECTROSTATIC DISCHARGE (ESD)

### Precautions and Procedures

**⚠ CAUTION**



**Electrostatic discharge can affect electronic components. Take precautions to neutralize electrostatic charge by touching your hand and tools to metal prior to handling the control.**

ML196UHE unit components are shown in figure 1. The combustion air inducer, gas valve and burners can be accessed by removing the outer access panel. The blower and control box can be accessed by removing the blower access panel.

### A-Control Box Components (Figure 2)

Unit transformer (T1) and integrated ignition control (A92) are located in the control box. In addition, a door interlock switch (S51) is located in the control box.

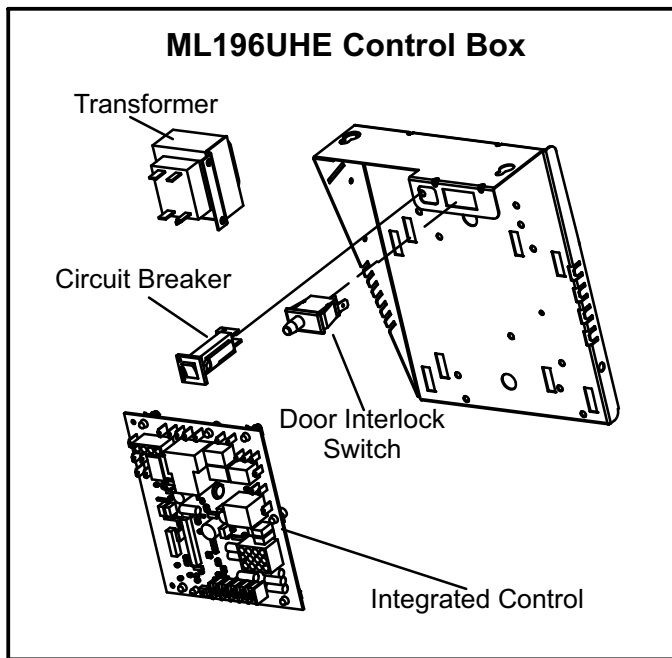


FIGURE 2

### 1. Transformer (T1)

A transformer located in the control box provides power to the low voltage section of the unit. The transformers on all models are rated at 40VA with a 120V primary and 24V secondary.

### 2. Door Interlock Switch (S51)

A door interlock switch rated 14A at 120VAC is located on the control box. The switch is wired in series with line voltage. When the blower door is removed the unit will shut down.

### 3. Circuit Breaker (CB8)

A 24V circuit breaker is also located in the control box. The switch provides overcurrent protection to the transformer (T1). The breaker is rated at 3A at 32V. If the current exceeds this limit the breaker will trip and all unit operation will shutdown. The breaker can be manually reset by pressing the button on the face.

### 4. Integrated Ignition Control (A92)

**⚠ WARNING**

**Shock hazard. Disconnect power before servicing. Control is not field repairable. If control is inoperable, simply replace entire control. Can cause injury or death. Unsafe operation will result if repair is attempted.**

The hot surface ignition control system consisting of an integrated control (figure 3 with control terminal designations in tables 1, 2 and 3), sensor and ignitor (figure 5). The integrated control and ignitor work in combination to ensure furnace ignition and ignitor durability. The integrated control, controls all major furnace operations. The integrated control also features a RED LED for troubleshooting and two accessory terminals rated at (1) one amp. See table 4 for troubleshooting diagnostic codes. The nitride ignitor is made from a non-porous, high strength proprietary ceramic material that provides long life and trouble free maintenance.

TABLE 1

4-Pin Terminal Designation	
PIN #	FUNCTION
1	Combustion Air Inducer Line
2	Ignitor Line
3	Combustion Air Inducer Neutral
4	Ignitor Neutral

TABLE 2

12-Pin Terminal Designations	
PIN #	FUNCTION
1	High Limit Output
2	Not Used
3	24V Line
4	Not Used
5	Rollout Switch Out
6	24V Neutral
7	High Limit Input
8	Ground
9	Gas Valve Common
10	Pressure Switch In
11	Rollout Switch In
12	Gas Valve Out



**TABLE 3**

<b>1/4" QUICK CONNECT TERMINALS</b>	
120HUM	Humidifier 120VAC
LINE	120VAC
XFMR	Transformer 120VAC
CIRC	Indoor blower 120VAC
EAC	Indoor air quality accessory 120VAC
NEUTRALS	Common 120VAC
HUM24	Humidifier 24VAC
<b>3/16" QUICK CONNECT TERMINALS</b>	
COOL	Cooling tap 24VAC
HEAT	Heating tap 24VAC
FAN	Continuous blower 24 VAC
PARK (no power)	Park terminal for unused speed taps
FS	Flame sense
24 COM	Common 24VAC

**TABLE 4**

The integrated control is equipped with an LED light for troubleshooting. The diagnostic codes are listed below in table 4.

<b>RED LED Flash Code <sup>2</sup></b>	<b>Diagnostic Codes / Status of Furnace</b>
Off	No power to control or board fault detected
Heartbeat <sup>1</sup>	Normal Operation - Idle, Continuous Fan, Cool
Continuous Rapid Flash	Call For Heat / Burner Operation
1	Reverse Line Voltage Polarity
2	Improper Earth Ground
3	Burner failed to light, or lost flame during heat demand
4	Low Flame Signal - check flame sensor
5	Watchguard - burner failed to light, exceeded maximum number of retries or recycles.
6	Not Used
7	Primary or Secondary Limit Open or Watchguard Mode - Limit Switch Open longer than 3 minutes
8	Rollout Switch Open
9	Pressure Switch failed to close or opened during heat demand
10	Watchguard - Pressure Switch opened 5 times during one heat demand
11	Pressure Switch stuck closed prior to activation of combustion air inducer
12	Flame Sensed without gas valve energized
13	Low Line Voltage
<b>Notes</b>	
Note 1	A "Heartbeat" is indicated by a "Slow Flash" - 1 sec on 1 sec off, repeating
Note 2	Error codes are indicated by a "Rapid Flash" - the LED flashes X times at 1/2 sec on 1/2 sec off, remains off for 3 sec, then repeats
Note 3	Last 10 error codes are stored in memory including when power is shut off to the unit. - To recall, press and release button, most recent will be displayed first, LED off for 3 sec, then next error code is displayed, etc. To clear error codes, depress and hold button longer than 5 seconds.

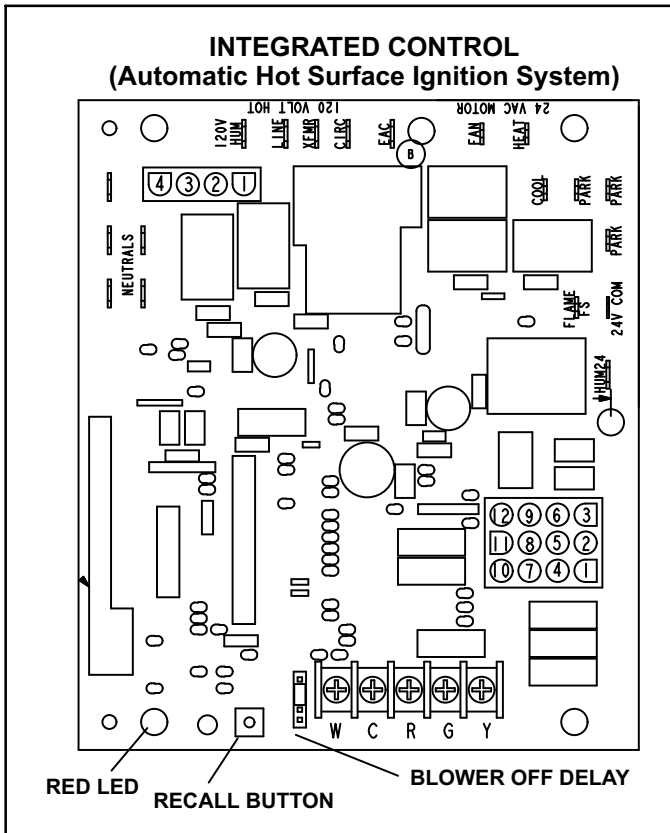


FIGURE 3

**Electronic Ignition**

On a call for heat the integrated control monitors the combustion air inducer pressure switch. The control board will not begin the heating cycle if the pressure switch is closed (by-passed). Once the pressure switch is determined to be open, the combustion air inducer is energized. When the differential in the pressure switch is great enough, the pressure switch closes and a 15-second pre-purge begins. If the pressure switch is not proven within 2-1/2 minutes, the integrated control goes into Watchguard-Pressure Switch mode for a 5-minute re-set period.

After the 15-second pre-purge period, the ignitor warms up for 20 seconds during which the gas valve opens at 19 seconds for a 4-second trial for ignition. The ignitor remains energized for the first 3 seconds during the 4 second trial. If ignition is not proved during the 4-second period, the integrated control will try four more times with an inter purge and warm-up time between trials of 35 seconds. After a to-

tal of five trials for ignition (including the initial trial), the integrated control goes into Watchguard-Flame Failure mode. After a 60-minute reset period, the integrated control will begin the ignition sequence again.

**Fan Time Control**

**Heating Fan On Time**

The fan on time of 30 seconds is not adjustable.

**Heating Fan Off Time**

Fan off time (time that the blower operates after the heat demand has been satisfied) can be adjusted by moving the jumper to a different setting. The unit is shipped with a factory fan off setting of 90 seconds. For customized comfort, monitor the supply air temperature once the heat demand is satisfied. Note the supply air temperature at the instant the blower is de-energized.

Adjust the fan-off delay to achieve a supply air temperature between 90° - 110° at the instant the blower is de-energized. (Longer delay times allow for lower air temperature, shorter delay times allow for higher air temperature). See figure 4.

**Cooling Fan On Time**

The fan on time is 2 seconds and is not adjustable.

**Cooling Fan Off Time**

The control has a 45 second fan off delay after cooling demand has been met. This delay is factory set and not adjustable.

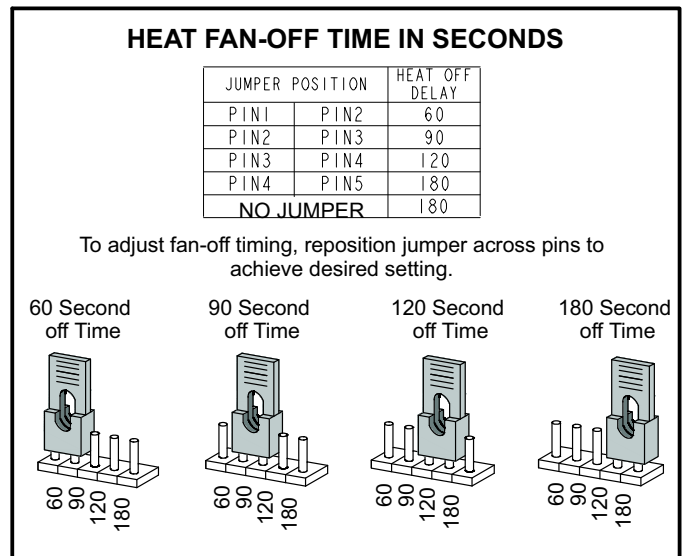
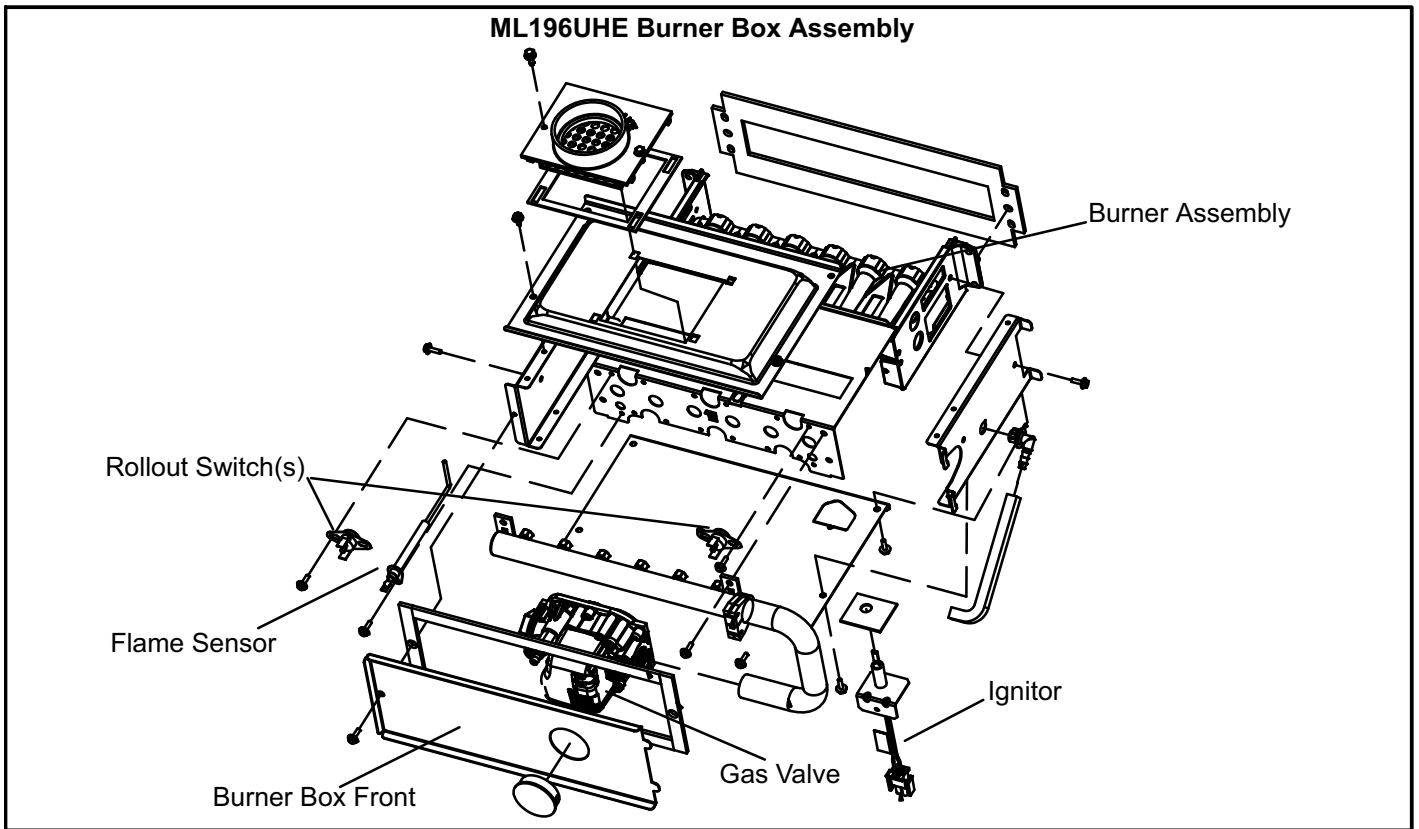


FIGURE 4



**FIGURE 5**

## B-Heating Components

Combustion air inducer (B6), primary limit control (S10), ignitor, burners, flame rollout switch (S47), gas valve (GV1), combustion air pressure switch (S18), and heat exchangers are located in the heating compartment. The heating compartment can be accessed by removing the outer access panel.

### 1. Flame Rollout Switches (Figure 5)

Flame rollout switches S47 are SPST N.C. high temperature limits located on the left and right of the front burner box plate. S47 is wired to the burner ignition control A92. When either of the switches sense flame rollout (indicating a blockage in the combustion passages), the flame rollout switch trips, and the ignition control immediately closes the gas valve. Switch S47 in all ML196UHE units is factory preset to open at  $210^{\circ}\text{F} \pm 12^{\circ}\text{F}$  ( $99^{\circ}\text{C} \pm 6.7^{\circ}\text{C}$ ) on a temperature rise. All flame rollout switches are manual reset. See table 4 flash code 8 for troubleshooting.

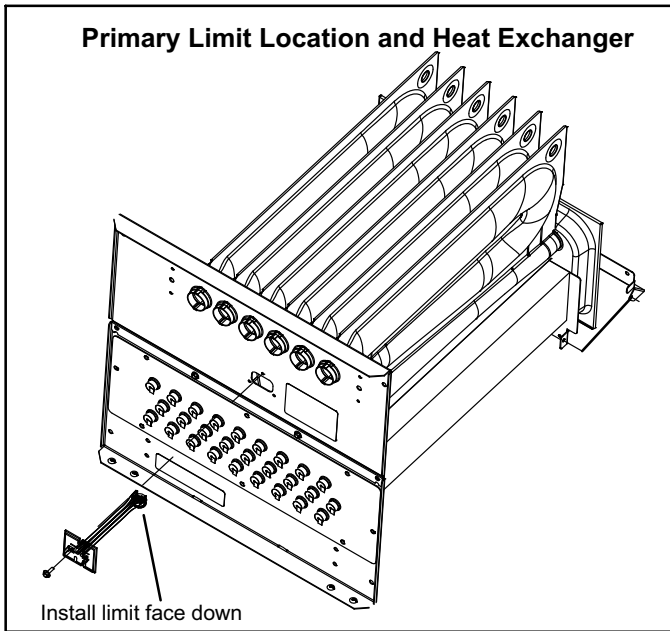
### 2. Heat Exchanger (Figure 6)

ML196UHE units use an aluminized steel primary and stainless steel secondary heat exchanger assembly. Heat is transferred to the air stream from all surfaces of the heat exchanger. The shape of the heat exchanger ensures maximum efficiency.

The combustion air inducer pulls fresh air through the burner box. This air is mixed with gas in the burners. The gas / air mixture is then burned at the entrance of each clamshell. Combustion gases are then pulled through the primary and secondary heat exchangers and exhausted out the exhaust vent pipe.

### 3. Primary Limit Control (Figure 6)

Primary limit (S10) used on ML196UHE units is located in the heating vestibule panel. When excess heat is sensed in the heat exchanger, the limit will open. Once the limit opens, the furnace control energizes the supply air blower and de-energizes the gas valve. The limit automatically resets when unit temperature returns to normal. The switch is factory set and cannot be adjusted. For limit replacement remove wires from limit terminals, remove mounting screws, rotate limit switch 90 degrees and slowly remove from the vestibule panel. Install replacement limit with same care. See table 4 flash code 7 for troubleshooting if limit switch opens during operation.



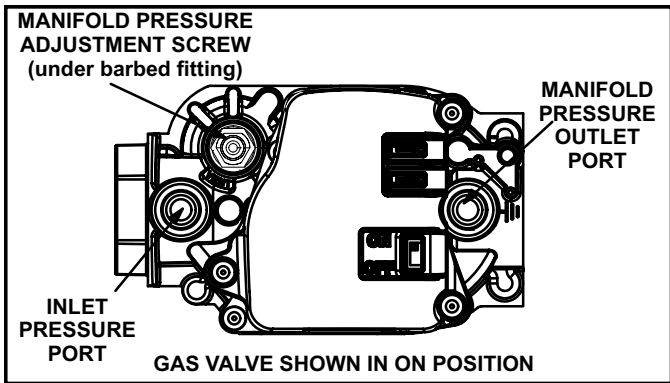
**FIGURE 6**

#### 4. Gas Valve (Figure 7)

The ML196UHE uses an internally redundant valve to assure safety shut-off. If the gas valve must be replaced, the same type valve must be used.

24VAC terminals and gas control switch are located on top of the valve. All terminals on the gas valve are connected to wires from the ignition control. 24V applied to the terminals opens the valve.

Inlet and outlet pressure taps are located on the valve. A manifold adjustment screw is also located on the valve. An LP/Propane changeover kit is available.



**FIGURE 7**

#### 5. Flame Sensor (Figure 5)

A flame sensor is located on the left side of the burner support. The sensor is mounted on the front burner box plate and the tip protrudes into the flame envelope of the left-most burner. The sensor can be removed for service (use steel wool only to clean) without removing any part of the burners. During operation, flame is sensed by current passed through the flame and sensing electrode. The ignition control allows the gas valve to remain open as long as flame signal is sensed.

*NOTE - The ML196UHE is polarity sensitive. Make sure that the furnace is wired correctly and is properly grounded.*

A microamp DC meter is needed to check the flame signal on the integrated control.

Flame (microamp) signal is an electrical current which passes from the integrated control to the sensor during unit operation. Current passes from the sensor through the flame to ground to complete a safety circuit.

#### To Measure Flame Signal - Integrated Control:

Use a digital readout meter capable of reading DC microamps. See figure 8 for flame signal check.

- 1 - Set the meter to the DC amps scale.
- 2 - Turn off supply voltage to control.
- 3 - Remove sensor wire from integrated control.
- 4 - Connect (-) lead to flame sensor wire.
- 5 - Connect (+) lead to Terminal FS on integrated control.
- 6 - Turn supply voltage on and close thermostat contacts to cycle system.
- 7 - When main burners are in operation for two minutes, take reading.

#### 6. Ignitor (Figure 5)

ML196UHE units use a nitride ignitor made from a proprietary ceramic material. To check ignitor, measure its resistance and voltage. A value of 39 to 70 ohms indicates a good ignitor. Voltage to the ignitor should be 102 - 132VAC. See figure 9 for resistance and voltage checks.

## Measuring Flame Signal

### Flame Signal In Microamps

Normal	Low	Drop Out
$\geq 1.5$	0.5 - 1.4	$\leq 0.4$

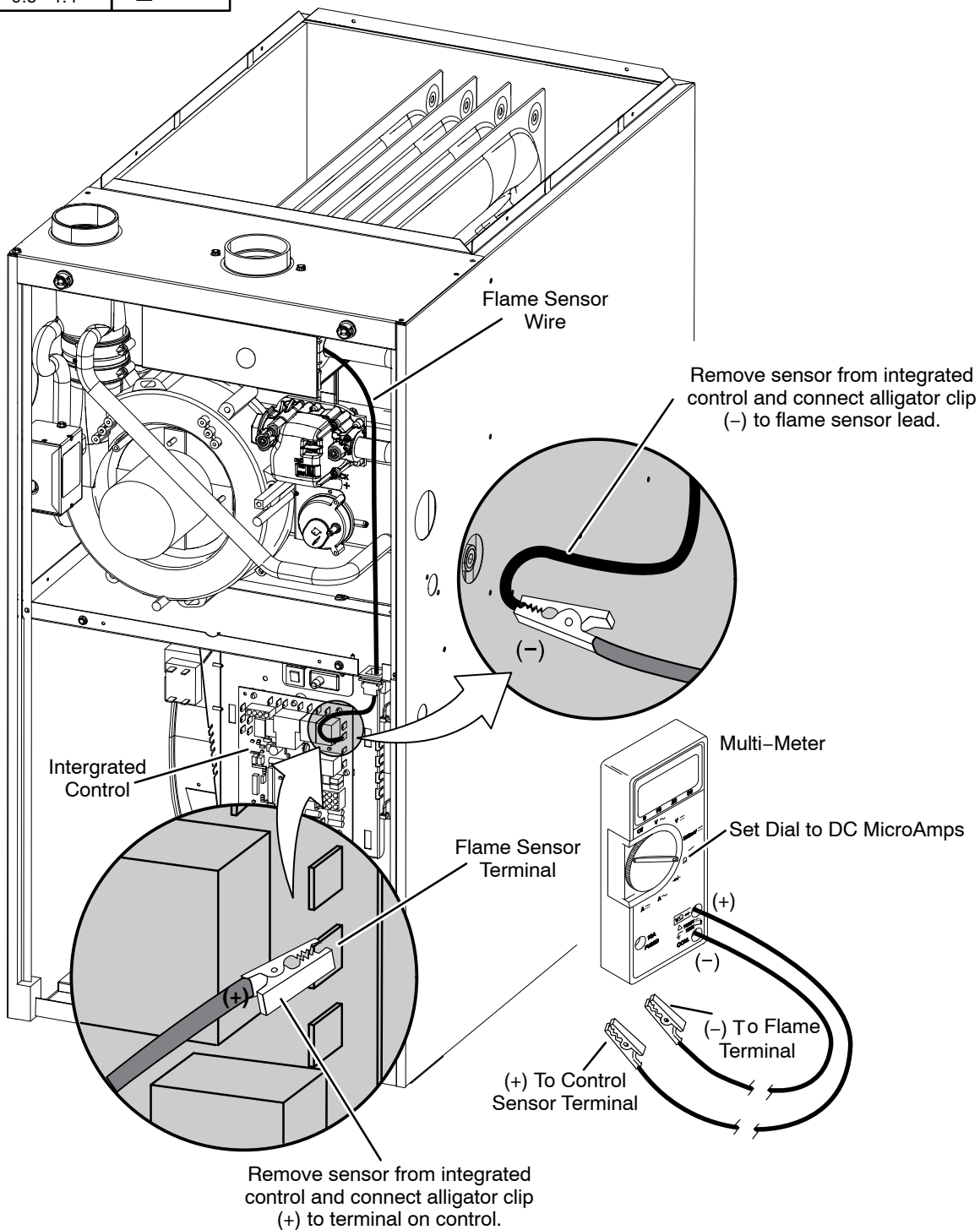


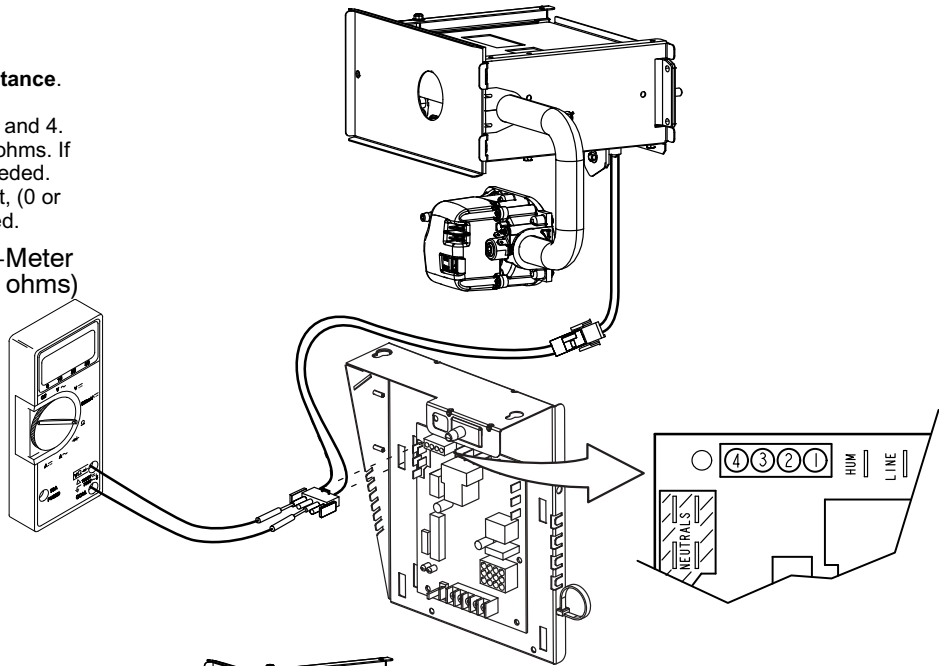
FIGURE 8

**Test 1**

**Check ignitor circuit for correct resistance.**

Remove 4-pin plug from control.  
Check ohms reading across terminals 2 and 4.  
Reading should be between 39 and 70 ohms. If value is correct, this is the only test needed.  
If the reading on the meter is not correct, (0 or infinity) then a second test is needed.

Multi-Meter  
(set to ohms)

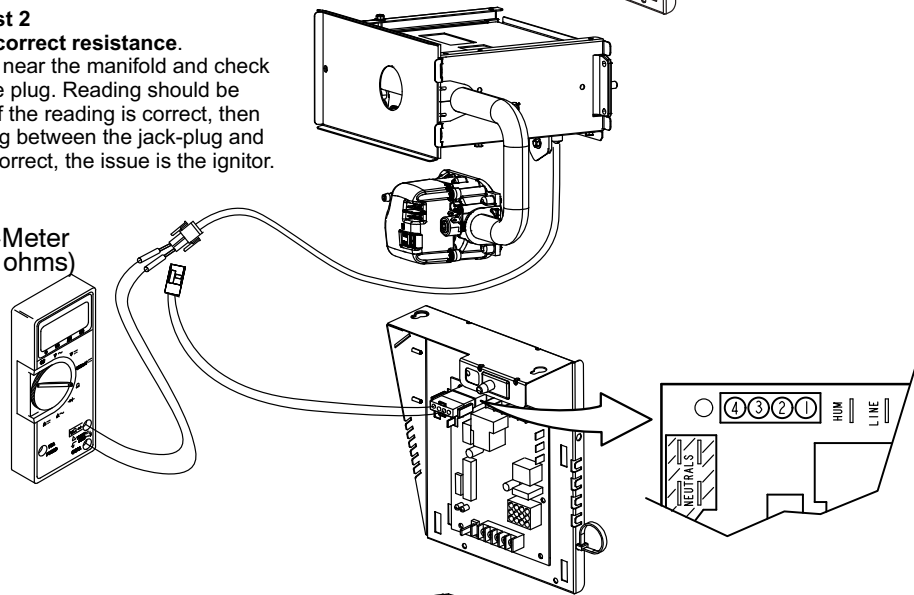


**Test 2**

**Check ignitor for correct resistance.**

Separate the 2-pin jack-plug near the manifold and check resistance of ignitor at the plug. Reading should be between 39 and 70 ohms. If the reading is correct, then the problem is with the wiring between the jack-plug and the control. If reading is not correct, the issue is the ignitor.

Multi-Meter  
(set to ohms)

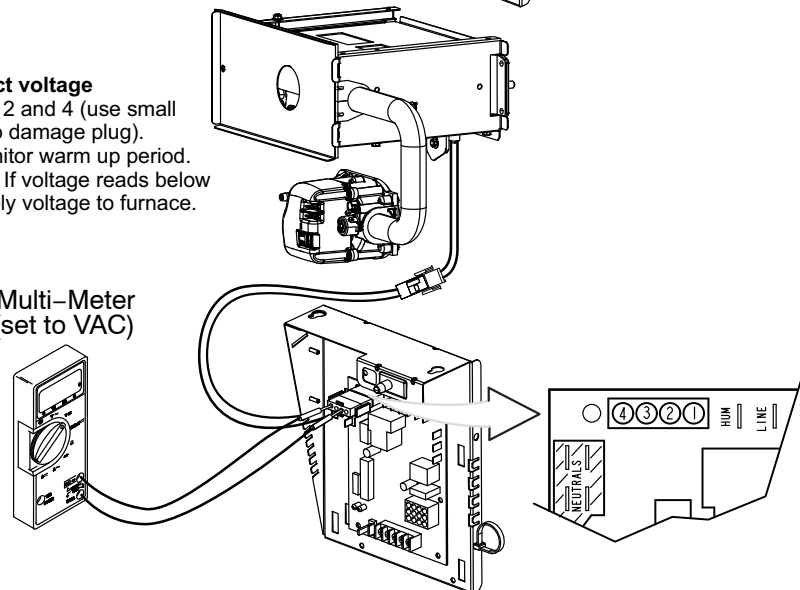


**Test 3**

**Check ignitor for correct voltage**

Insert meter probes into terminals 2 and 4 (use small diameter probes in order not to damage plug).  
Check voltage during 20 second ignitor warm up period.  
Voltage should read 120 volts  $\pm$  10%. If voltage reads below these values, check for correct supply voltage to furnace.

Multi-Meter  
(set to VAC)



**FIGURE 9**



### 7. Combustion Air Inducer (B6) & Cold End Header Box

All ML196UHE units use a combustion air inducer to move air through the burners and heat exchanger during heating operation. The blower uses a shaded pole 120VAC motor. The motor operates during all heating operation and is controlled by integrated control A92. Blower operates continuously while there is a call for heat. The integrated control will not proceed with the ignition sequence until combustion air inducer operation is sensed by the proving switches.

The combustion air inducer is installed on the cold end header box. The cold end header box is a single piece made of hard plastic. The box has an internal channel where the combustion air inducer creates negative pressure at unit start up. The channel contains an orifice used to regulate flow created by the combustion air inducer. The box has pressure taps for the combustion air inducer pressure switch hoses. The pressure switch measures the pressure across the combustion air inducer orifice or difference in the channel and the box. **If replacement is necessary the gaskets used to seal the box to the vestibule panel and the combustion air inducer to the box, must also be replaced.**

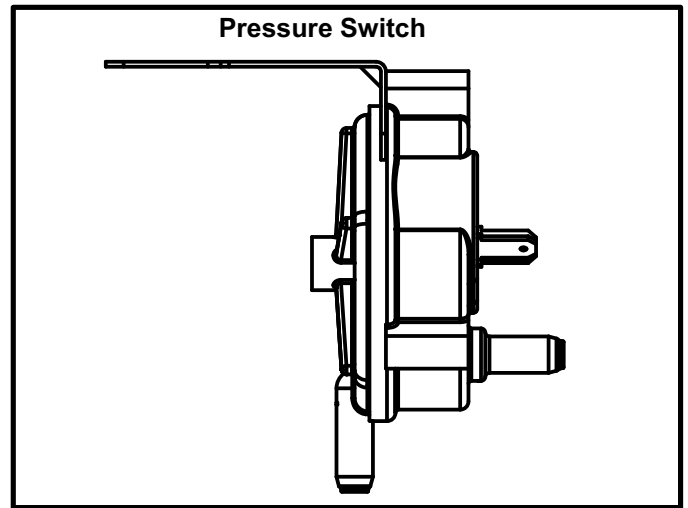
**TABLE 5**

ML196UHE Unit	Combustion Air Inducer Orifice Size
-030	0.525"
-045	0.618"
-070	0.775"
-090	0.905"
-110	1.040"
-135	1.235"

### 8. Combustion Air Pressure Switch (Figure 10)

ML196UHE series units are equipped with a differential pressure switch located on the cold end header box. The switch monitors across the combustion air inducer orifice to insure proper flow through the heat exchanger.

The switch is a SPST N.O. pressure switch electrically connected to the integrated control. The purpose of the switch is to prevent burner operation if the combustion air inducer is not moving enough air for proper combustion.



**FIGURE 10**

On start-up, the switch monitors whether the combustion air inducer is operating. It closes a circuit to the integrated control when the difference in pressure across the combustion air inducer orifice exceeds a non-adjustable factory setting. If the switch does not successfully sense the required differential, the switch cannot close and the furnace cannot operate. If the flue or air inlet become obstructed during operation, the switch senses a loss of pressure differential and opens the circuit to the integrated control. If the condensate line is blocked, water will back up into the header box and reduce the pressure differential across the switch. The pressure switch opens if the differential drops below the set point. See table 6.

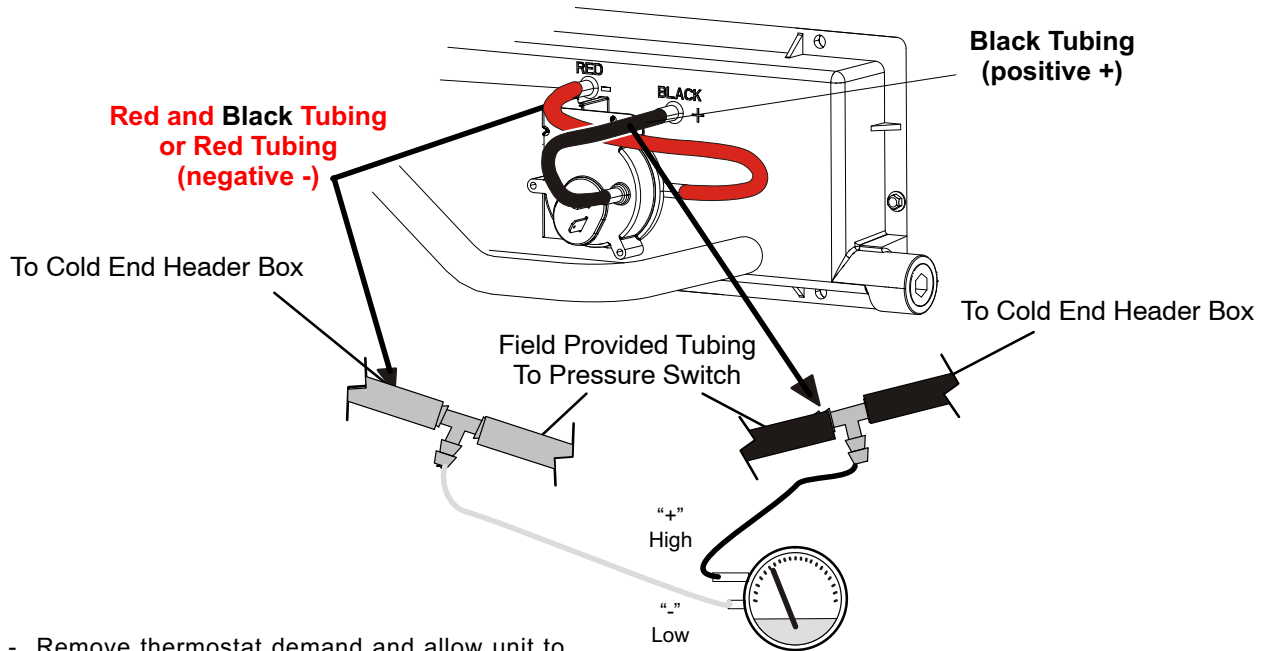
Checks of pressure differential can aid in troubleshooting. When measuring the pressure differential, readings should be taken at the pressure switch. See figure 11 and table 7. Lack of differential usually indicates problems in the intake or exhaust piping, but may indicate problems in the heat exchanger, condensing coil, header boxes, combustion inducer or other components.

**TABLE 6**

Unit	Altitude ft.		
	0 - 4500	4501 - 7500	7501 - 10000
	Set Point "w.c.	Set Point "w.c.	Set Point "w.c.
-030	-0.65	-0.65	-0.60
-045	-0.65	-0.65	-0.60
-070	-0.95	-0.85	-0.75
-090	-0.90	-0.80	-0.65
-110	-0.90	-0.85	-0.65
-135	-0.90	-0.80	-0.65

*\*Set point is factory set and non-adjustable*

### Measuring Pressure Differential



- 1 - Remove thermostat demand and allow unit to cycle off.
- 2 - Install a tee in the negative (-) line (red and black tubing or red tubing) and a tee in the positive (+) line (black tubing) running from the pressure switch to the cold end header box.
- 3 - Install a manometer with hose from the negative (-) side of the manometer to the tee installed in the negative (-) line and with hose from the positive (+) side of the manometer to the tee in the positive (+) line.

*NOTE - Both sides of the cold end header box are negative. However the (+) port reads less negative pressure than the (-) port.*

- 4 - Operate unit and observe manometer reading.
  - a. Take one reading immediately after start-up.
  - b. Take a second reading after unit has reached steady state (approximately 5 minutes). This will be the pressure differential.

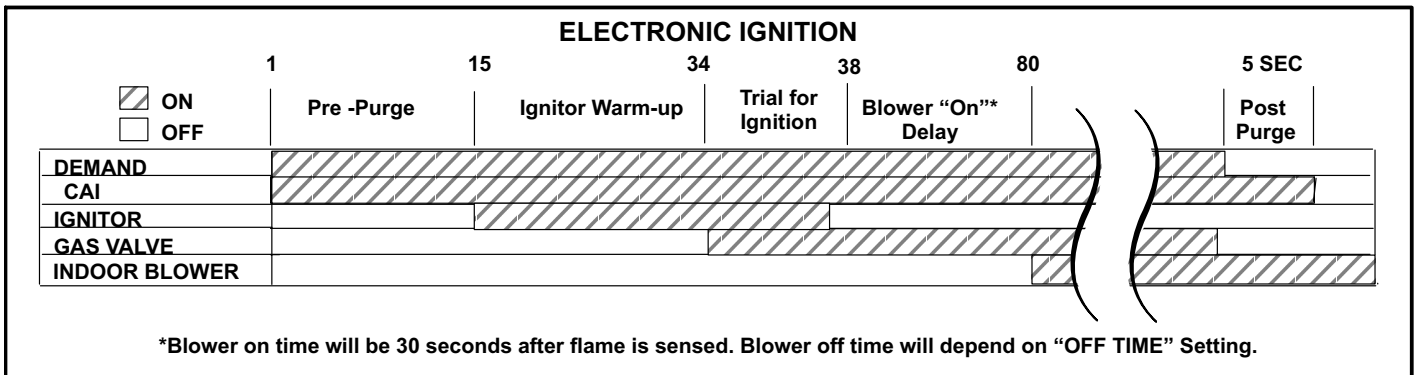
**The pressure differential should be greater than those listed in table 6.**

- 5 - Remove thermostat demand and allow to cycle off.
- 6 - Remove manometer and tee's. Reinstall combustion air sensing hoses to the pressure switch.

**FIGURE 11**

**TABLE 7**

<b>Pressure Switch Troubleshooting Guide</b>	
<b>Problem</b>	<b>Corrective Action</b>
Pressure switch stuck closed	Check that the pressure switch is open without the combustion air inducer operating. Replace if defective.
Pressure switch does not close due to obstruction in vent pipe.	Check for restricted vent. Remove all blockage. Check for proper vent sizing. See table 12.
Pressure switch does not close due to incorrect routing of the pressure switch tubing.	Check that the pressure switch tubing is correctly routed. Correctly route pressure switch line.
Pressure switch does not close due to obstructions in the pressure switch line.	Remove any obstructions from the the pressure switch line and/or taps
Pressure switch tubing damaged.	Check pressure switch tubing for leaks. Replace damaged tubing if necessary.
Condensate in pressure switch tubing.	Check pressure switch tubing for condensate. Remove condensate from tubing.
Pressure switch does not close due to a low differential pressure across the pressure switch.	Check the differential pressure across the pressure switch. Check for restricted inlet vent. Remove all blockage. Check for proper vent sizing and run length. See table 12.
Wrong pressure switch installed in the unit, or pressure switch is out of calibration	Check that the correct pressure switch is installed in the unit. Replace pressure switch if necessary.
Miswiring of furnace or improper connections at pressure switch.	Check for correct wiring and loose connections. Correct wiring and/or replace any loose connections.
Pressure switch failure.	If all the above modes of failure have been checked, the pressure switch may have failed. Replace pressure switch and determine if unit will operate.
Damaged condensate trap.	Check trap for any cracks or damage and replace if necessary.
Cold end header box does not drain properly.	Check that the furnace is set properly with a slight tilt (0 - 1/2") towards the front if necessary. See furnace installation instruction.
Air leakage around the combustion air inducer gasket.	Check gasket and replace if necessary.
Air leakage around the cold end header box gasket.	Check gasket and replace if necessary.
Damaged cold end header box tubing.	Check tubing and replace if necessary.



**FIGURE 12**

## C- Blower Compartment

### **! IMPORTANT**

**Each blower is statically and dynamically balanced as an assembly before installation in the unit.**

ML196UHE units are equipped with a constant torque ECM motor. It has a DC motor coupled to an electronic control module both contained in the same motor housing. The motor is programmed to provide constant torque at each of the five selectable speed taps. Each tap requires 24 volts to energize.

### **Input Voltage Requirements**

The circuit is designed to be operated with AC voltage. To enable a tap requires 12 to 33VAC. Expected current draw will be less than 20mA.

### **Troubleshooting the Motor**

Troubleshooting the motor is an easy process. Follow steps below.

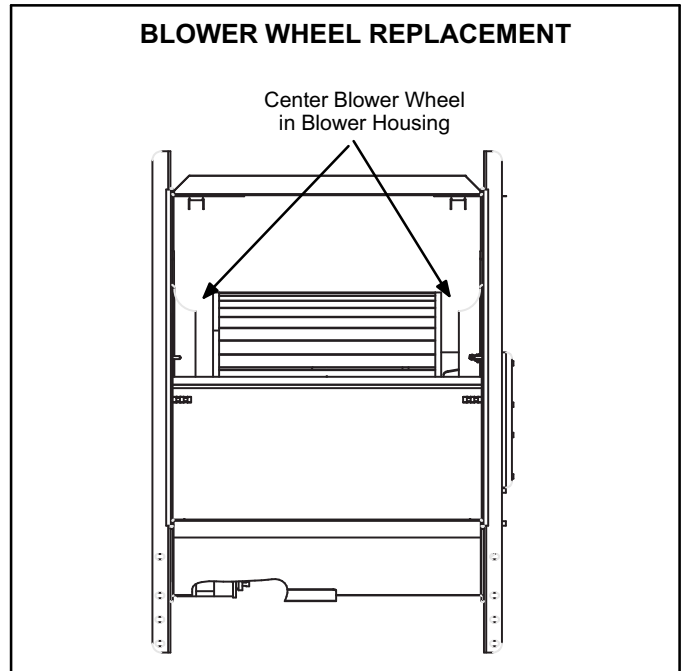
- 1- Shut off power to unit.
- 2- Remove input plugs P48 and P49 from motor. See figure 16 for troubleshooting procedure.

If correct voltage is present in tests 1 and 2 and motor is not operating properly, replace motor. The motor is not field repairable.

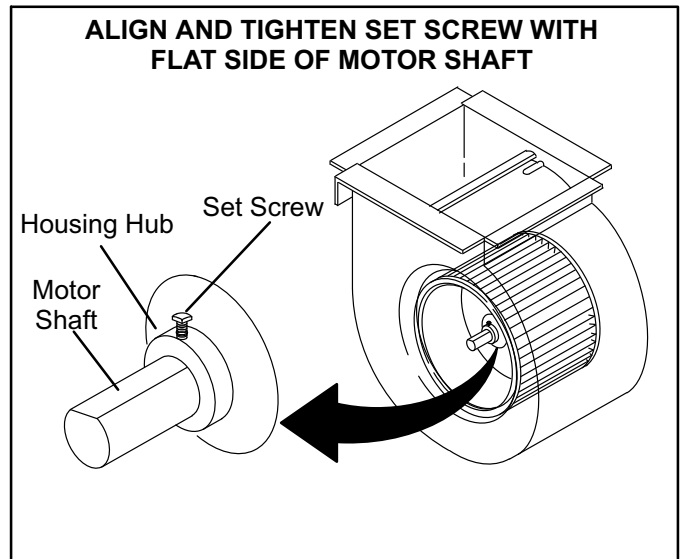
If replacing the indoor blower motor or blower wheel is necessary, placement is critical. The blower wheel must be centered in the blower housing as shown in figure 13. When replacing the indoor blower motor the set screw must be aligned and tightened with the motor shaft as shown in figure 14.

### **9. Secondary Limit Controls**

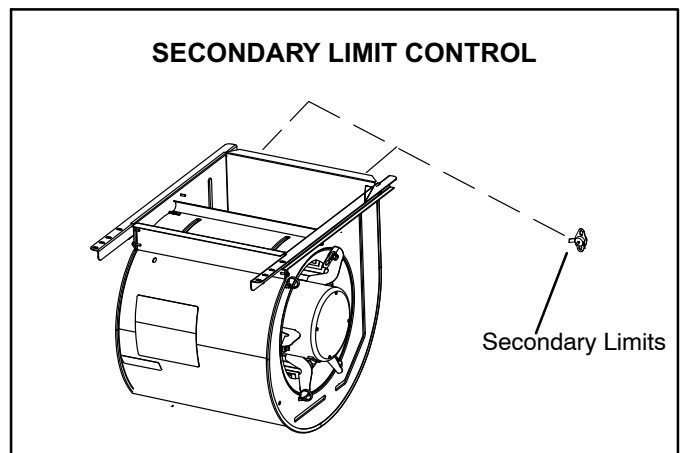
The secondary limit is located in the blower compartment on the back side of the blower housing. See figure 15. When excess heat is sensed in the blower compartment, the limit will open. If the limit is open, the furnace control energizes the supply air blower and closes the gas valve. The limit automatically resets when unit temperature returns to normal. The secondary limit cannot be adjusted.



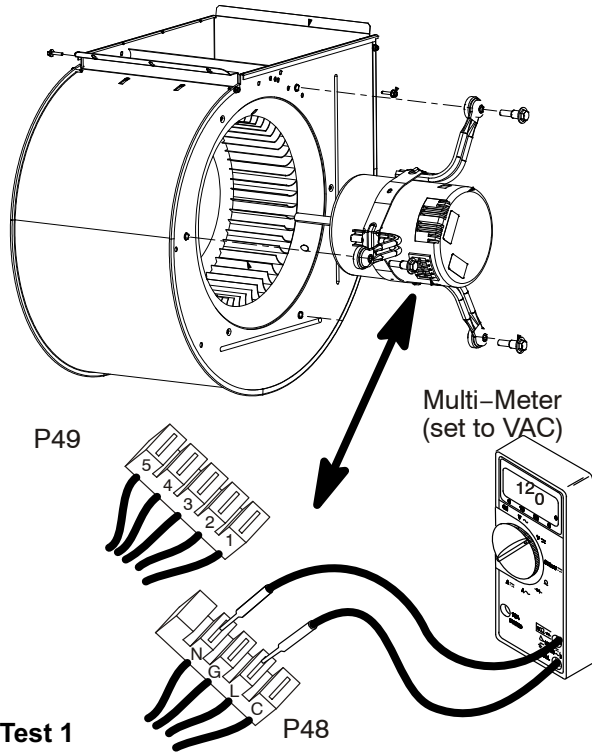
**FIGURE 13**



**FIGURE 14**

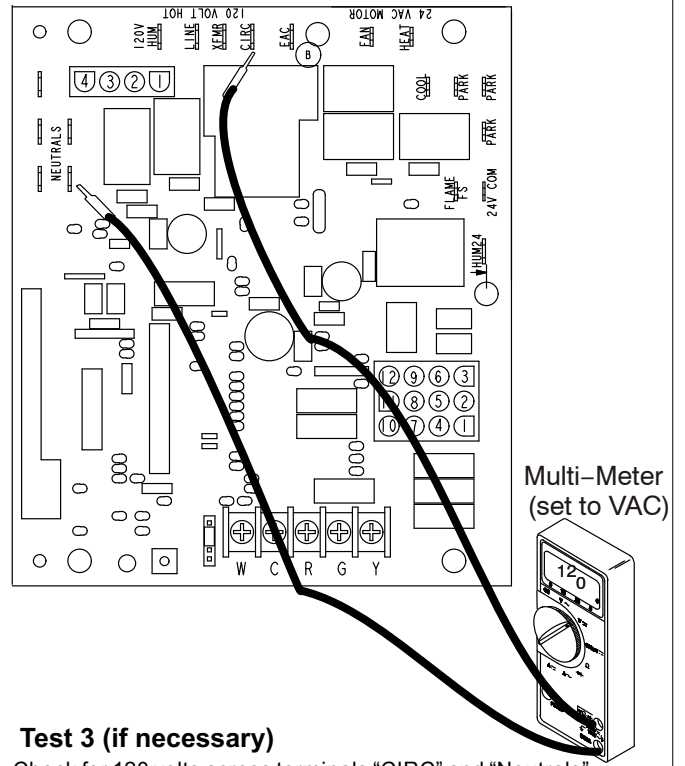


**FIGURE 15**



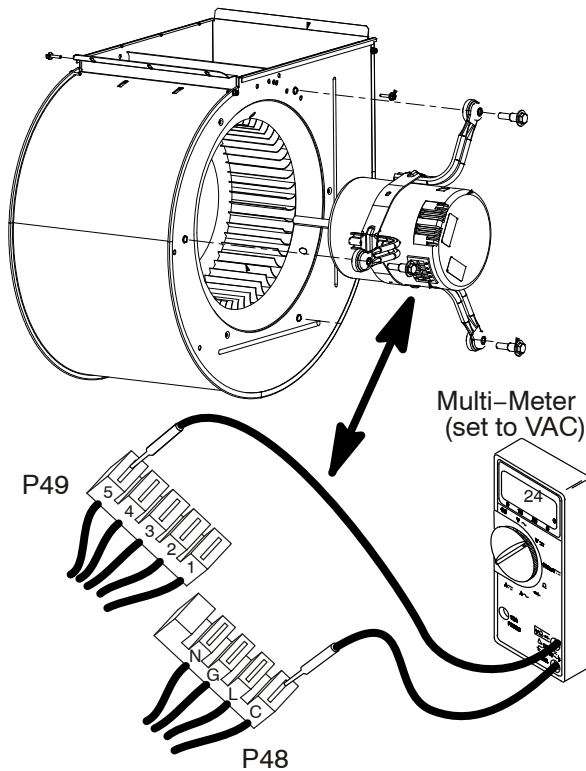
### Test 1

Turn on power to unit. Check for 120 volts across terminals "L" and "N" on input plug P48. If voltage is present continue to test 2. If voltage is not present problem may be up-stream of plug P48 and proceed to test 3.



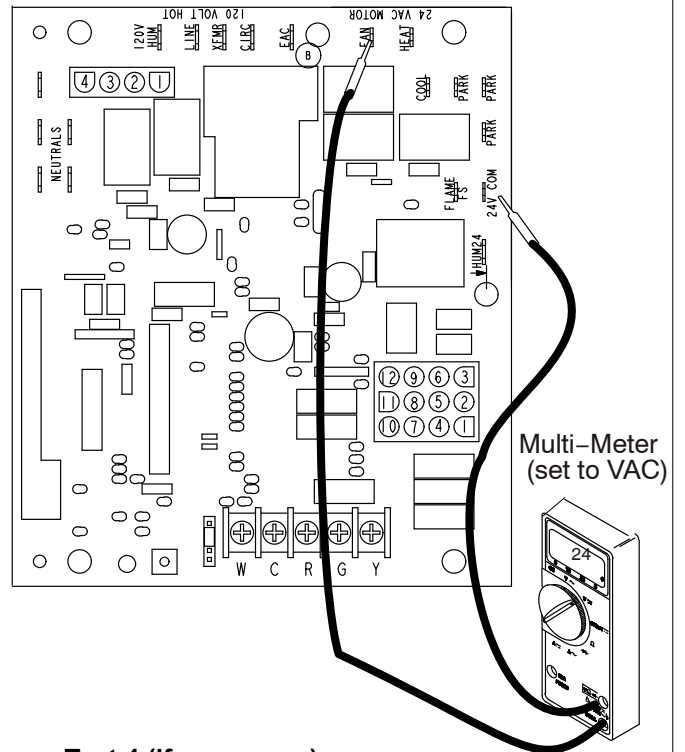
### Test 3 (if necessary)

Check for 120 volts across terminals "CIRC" and "Neutrals" on the integrated control. If voltage is present, problem is with the harness. If voltage is not present problem may be with the integrated control.



### Test 2

Switch thermostat to CONTINUOUS FAN MODE. Check for 24 volts across terminal "C" on input plug P48 and speed tap used for continuous fan. (1, 2, 3, 4 or 5) on input plug P49. If 24 volts is not present problem may be up stream of plug P49. Proceed to test 4.



### Test 4 (if necessary)

Check for 24 volts across terminals "24 COM" and "FAN" terminals on the integrated control. If voltage is present, problem is with the harness. If voltage is not present problem may be with the integrated control.

FIGURE 16

## Replacing the Motor Module

1. Disconnect electrical power to unit.
2. Remove unit access panel.
3. Unplug the **two** harnesses from the motor control module. See figure 17.

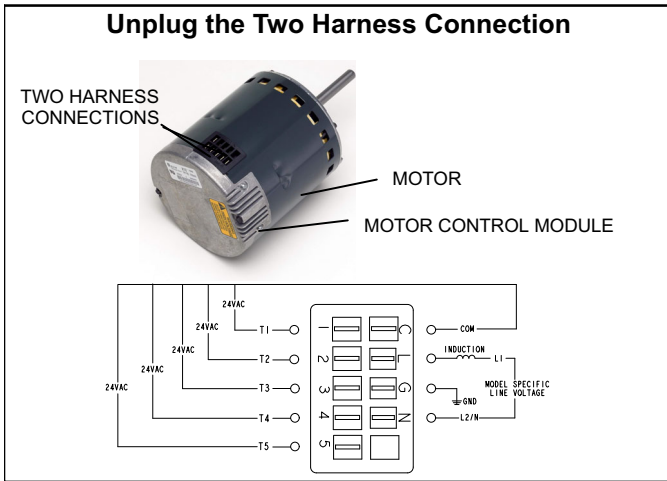


FIGURE 17

4. Remove the two hex head bolts securing the motor control module to the motor (see figure 18).



FIGURE 18

5. Slide the motor control module away from the motor to access and disconnect the internal three wire connector. It is not necessary to remove blower motor itself. Set both hex head bolts aside.

## Testing the Motor (Figure19)

If any motor fails the below tests, do not install the new control module. The motor is defective and it also must be replaced. The new control can fail if placed on a defective motor.

1. Using an ohmmeter check the resistance from any one of the motor connector pins to the aluminum end plate of the motor. This resistance should be greater than 100k ohms.
2. Check the resistances between each of the three motor connector pins. These should all read approximately the same resistance within an ohm.
3. Check to see if the blower wheel spins freely.

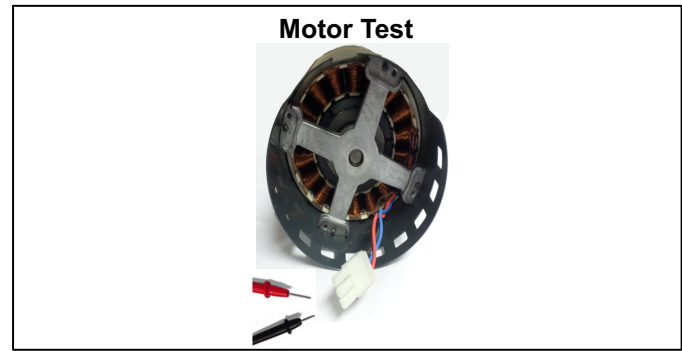


FIGURE 19

TABLE 8

Scale	Measurement range in words	ohms
2 M	two megohm-two million ohms	0 - 2,000,000
200 K	two hundred kilo-ohm-two hundred thousand ohms	0 - 200,000
20 K	twenty kilo-ohm-twenty thousand ohms	0 - 20,000
2 K	two kilo-ohm two-thousand ohms	0 - 2,000
200	two hundred ohms	0 - 200

## Motor Module Installation

All replacement motor control modules look similar; however, each module is designed for a specific motor size. It is very important to make sure that you are using the correct replacement motor control module. **USE OF THE WRONG MOTOR CONTROL MODULE MAY RESULT IN UNEXPECTED UNIT OPERATION.**

1. Verify electrical power to unit is disconnected.
2. Connect three-wire harness from motor to control module.
3. Mount new motor control module to motor using two hex head bolts removed in figure 18. Torque bolts to 22 inch pounds or 1/16<sup>th</sup> clock turn as exemplated to the right.
4. Reconnect the **two** harnesses to the motor control module.
5. The electrical connectors of the motor should be facing down to form a drip loop (figure20). This will directs moisture away from the motor and its electric connections on the motor.

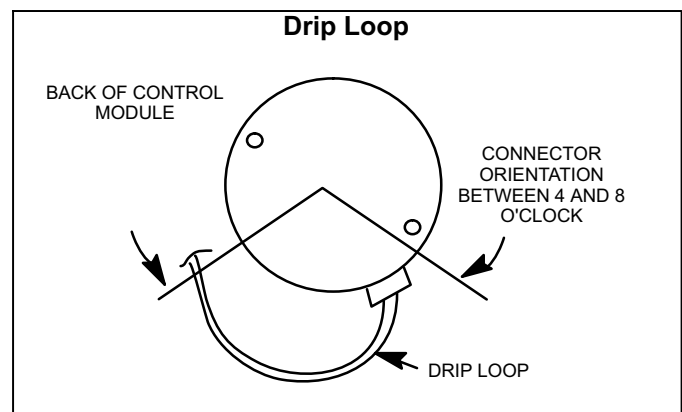
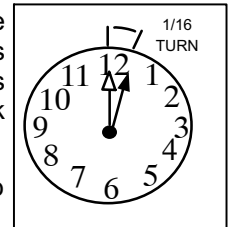


FIGURE 20



## II-PLACEMENT AND INSTALLATION

### Pipe & Fittings Specifications

All pipe, fittings, primer and solvent cement must conform with American National Standard Institute and the American Society for Testing and Materials (ANSI/ASTM) standards. The solvent shall be free flowing and contain no lumps, undissolved particles or any foreign matter that adversely affects the joint strength or chemical resistance of the cement. The cement shall show no gelation, stratification, or separation that cannot be removed by stirring. Refer to the table 9 below for approved piping and fitting materials.

### ⚠ CAUTION

**Solvent cements for plastic pipe are flammable liquids and should be kept away from all sources of ignition. Do not use excessive amounts of solvent cement when making joints. Good ventilation should be maintained to reduce fire hazard and to minimize breathing of solvent vapors. Avoid contact of cement with skin and eyes.**

**TABLE 9  
PIPING AND FITTINGS SPECIFICATIONS**

Schedule 40 PVC (Pipe)	D1785
Schedule 40 PVC (Cellular Core Pipe)	F891
Schedule 40 PVC (Fittings)	D2466
Schedule 40 CPVC (Pipe)	F441
Schedule 40 CPVC (Fittings)	F438
SDR-21 PVC or SDR-26 PVC (Pipe)	D2241
SDR-21 CPVC or SDR-26 CPVC (Pipe)	F442
Schedule 40 ABS Cellular Core DWV (Pipe)	F628
Schedule 40 ABS (Pipe)	D1527
Schedule 40 ABS (Fittings)	D2468
ABS-DWV (Drain Waste & Vent) (Pipe & Fittings)	D2661
PVC-DWV (Drain Waste & Vent) Pipe & Fittings)	D2665
<b>PRIMER &amp; SOLVENT CEMENT</b>	<b>ASTM SPECIFICATION</b>
PVC & CPVC Primer	F656
PVC Solvent Cement	D2564
CPVC Solvent Cement	F493
ABS Solvent Cement	D2235
PVC/CPVC/ABS All Purpose Cement For Fittings & Pipe of the same material	D2564, D2235, F493
ABS to PVC or CPVC Transition Solvent Cement	D3138
<b>CANADA PIPE &amp; FITTING &amp; SOLVENT CEMENT</b>	<b>MARKING</b>
PVC & CPVC Pipe and Fittings	ULCS636
PVC & CPVC Solvent Cement	
ABS to PVC or CPVC Transition Cement	
<b>POLYPROPYLENE VENTING SYSTEM</b>	ULC-S636
PolyPro® by Duravent	UL C-S636
InnoFlue® by Centrotherm	ULC-S636

### ⚠ IMPORTANT

**ML196UHE exhaust and intake connections are made of PVC. Use PVC primer and solvent cement when using PVC vent pipe. When using ABS vent pipe, use transitional solvent cement to make connections to the PVC fittings in the unit.**

Use PVC primer and solvent cement or ABS solvent cement meeting ASTM specifications, refer to Table 9. As an alternate, use all purpose cement, to bond ABS, PVC, or CPVC pipe when using fittings and pipe made of the same materials. Use transition solvent cement when bonding ABS to either PVC or CPVC.

Low temperature solvent cement is recommended during cooler weather. Metal or plastic strapping may be used for vent pipe hangers. Uniformly apply a liberal coat of PVC primer for PVC or use a clean dry cloth for ABS to clean inside socket surface of fitting and male end of pipe to depth of fitting socket.

**Canadian Applications Only** - Pipe, fittings, primer and solvent cement used to vent (exhaust) this appliance must be certified to ULC S636 and supplied by a single manufacturer as part of an approved vent (exhaust) system. In addition, the first three feet of vent pipe from the furnace flue collar must be accessible for inspection.

**TABLE 10  
OUTDOOR TERMINATION USAGE\***

Input Size	Vent Pipe Dia. in.	STANDARD					CONCENTRIC		
		Flush-Mount Kit	Wall Kit		Wall Ring Kit	Field Fabricated	1-1/2 inch	2 inch	3 inch
			2 inch	3 inch	2 inch				
		51W11 (US) 51W12 (CA)	22G44 (US) 430G28 (CA)	44J40 (US) 481J20 (CA)	15F74	71M80 (US) 444W92 (CA)	69M29 (US) 444W92 (CA)	60L46 (US) 444W93 (CA)	
030, 045	<sup>6</sup> 1-1/2	<sup>3</sup> YES	YES	<sup>1</sup> YES	<sup>1</sup> YES	<sup>5</sup> YES	<sup>2</sup> YES	N/A	N/A
	2	<sup>3</sup> YES	YES	<sup>1</sup> YES	<sup>1</sup> YES	<sup>5</sup> YES	<sup>2</sup> YES	N/A	N/A
	2-1/2	<sup>3</sup> YES	YES	<sup>1</sup> YES	<sup>1</sup> YES	<sup>5</sup> YES	<sup>2</sup> YES	N/A	N/A
	3	<sup>3</sup> YES	YES	<sup>1</sup> YES	<sup>1</sup> YES	<sup>5</sup> YES	<sup>2</sup> YES	N/A	N/A
070	<sup>6</sup> 1-1/2	<sup>3</sup> YES	YES	<sup>1</sup> YES	<sup>1</sup> YES	<sup>5</sup> YES	<sup>2</sup> YES	N/A	N/A
	2	<sup>3</sup> YES	YES	<sup>1</sup> YES	<sup>1</sup> YES	<sup>5</sup> YES	<sup>2</sup> YES	N/A	N/A
	2-1/2	<sup>3</sup> YES	YES	<sup>1</sup> YES	<sup>1</sup> YES	<sup>5</sup> YES	<sup>2</sup> YES	N/A	N/A
	3	<sup>3</sup> YES	YES	<sup>1</sup> YES	<sup>1</sup> YES	<sup>5</sup> YES	<sup>2</sup> YES	N/A	N/S
090	2	<sup>3</sup> YES	N/A	YES	YES	<sup>5</sup> YES	N/A	YES	YES
	2-1/2	<sup>3</sup> YES	N/A	YES	YES	<sup>5</sup> YES	N/A	YES	YES
	3	<sup>3</sup> YES	N/A	YES	YES	<sup>5</sup> YES	N/A	YES	YES
110	2	YES	N/A	YES	YES	<sup>5</sup> YES	N/A	YES	YES
	2-1/2	YES	N/A	YES	N/A	<sup>5</sup> YES	N/A	YES	YES
	3	YES	N/A	YES	N/A	<sup>5</sup> YES	N/A	YES	YES
135	3	YES	N/A	YES	N/A	<sup>5</sup> YES	N/A	YES	YES

NOTE - Standard Terminations do not include any vent pipe or elbows external to the structure. Any vent pipe or elbows external to the structure must be included in total vent length calculations. See vent length tables.

\* Kits must be properly installed according to kit instructions.

<sup>1</sup>Requires field-provided outdoor 1-1/2" exhaust accelerator.

<sup>2</sup>Concentric kits 71M80 and 44W92 include 1-1/2" outdoor accelerator, when used with 030, 045 and 070 input models. When using 1-1/2 inch vent pipe, transition to 2" pipe before installing concentric kit.

<sup>3</sup>Flush mount kits 51W11 and 51W12 includes 1-1/2 in. outdoor exhaust accelerator, required when used with 030, 045, 070 and 090 input models... When using 1-1/2 in. piping, the pipe must be transitioned to 2 in. pipe when used with the Flush Mount Kit.

<sup>4</sup>Termination kits 30G28, 44W92, 4493 and 81J20 are certified to ULC S636 for use in Canada only.

<sup>5</sup>See table 15 for vent accelerator requirements.

<sup>6</sup>2 inch to 1-1/2 inch reducer required, must be field provided.

### Joint Cementing Procedure

All cementing of joints should be done according to the specifications outlined in ASTM D 2855.

## DANGER

### DANGER OF EXPLOSION!

**Fumes from PVC glue may ignite during system check. Allow fumes to dissipate for at least 5 minutes before placing unit into operation.**

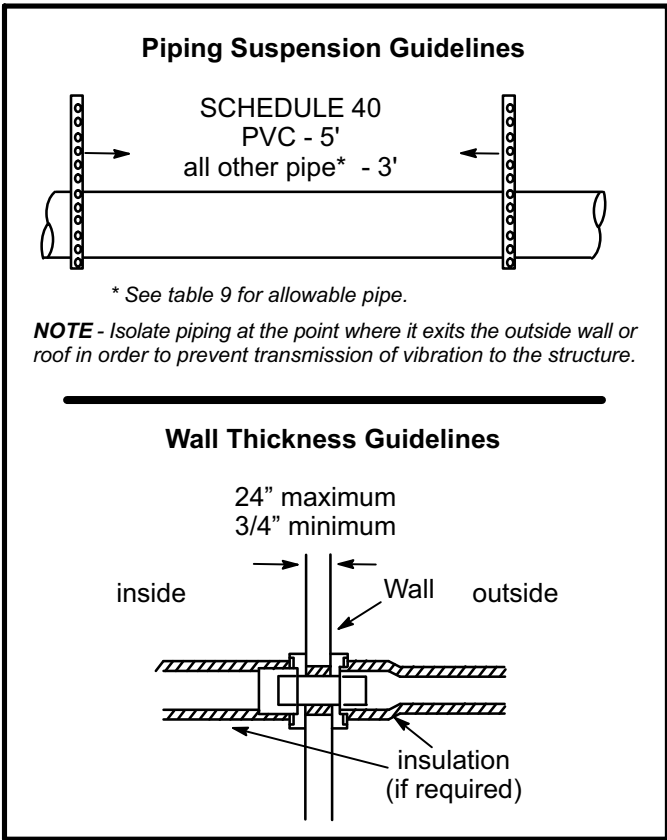
- 1 - Measure and cut vent pipe to desired length.
- 2 - Deburr and chamfer end of pipe, removing any ridges or rough edges. If end is not chamfered, edge of pipe may remove cement from fitting socket and result in a leaking joint.  
**NOTE - Check the inside of vent pipe thoroughly for any obstruction that may alter furnace operation.**
- 3 - Clean and dry surfaces to be joined.

- 4 - Test fit joint and mark depth of fitting on outside of pipe.
- 5 - Uniformly apply a liberal coat of PVC primer for PVC or use a clean dry cloth for ABS to clean inside socket surface of fitting and male end of pipe to depth of fitting socket.  
**NOTE - Time is critical at this stage. Do not allow primer to dry before applying cement.**
- 6 - Promptly apply solvent cement to end of pipe and inside socket surface of fitting. Cement should be applied lightly but uniformly to inside of socket. Take care to keep excess cement out of socket. Apply second coat to end of pipe.
- 7 - Immediately after applying last coat of cement to pipe, and while both inside socket surface and end of pipe are wet with cement, forcefully insert end of pipe into socket until it bottoms out. Turn PVC pipe 1/4 turn during assembly (but not after pipe is fully inserted) to distribute cement evenly. DO NOT turn ABS or cellular core pipe.

**NOTE** - Assembly should be completed within 20 seconds after last application of cement. Hammer blows should not be used when inserting pipe.

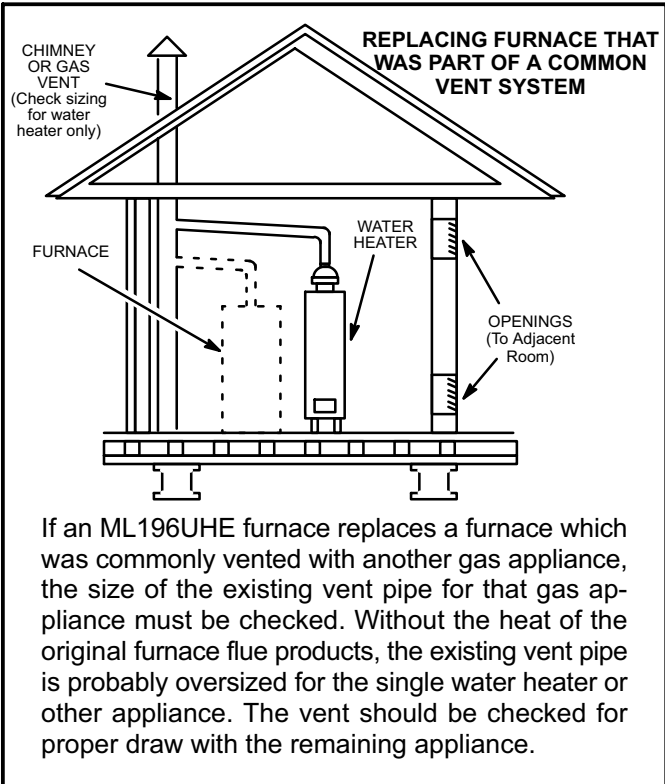
- 8 - After assembly, wipe excess cement from pipe at end of fitting socket. A properly made joint will show a bead around its entire perimeter. Any gaps may indicate an improper assembly due to insufficient solvent.
- 9 - Handle joints carefully until completely set.

**Venting Practices**



**FIGURE 21**

- 6. In areas where piping penetrates joists or interior walls, hole must be large enough to allow clearance on all sides of pipe through center of hole using a hanger.
- 7. When furnace is installed in a residence where unit is shut down for an extended period of time, such as a vacation home, make provisions for draining condensate collection trap and lines.



**FIGURE 22**

**Exhaust Piping (Figures 25 and 26)**

Route piping to outside of structure. Continue with installation following instructions given in piping termination section.

**⚠ CAUTION**

**Do not discharge exhaust into an existing stack or stack that also serves another gas appliance. If vertical discharge through an existing unused stack is required, insert PVC pipe inside the stack until the end is even with the top or outlet end of the metal stack.**

**⚠ CAUTION**

**The exhaust vent pipe operates under positive pressure and must be completely sealed to prevent leakage of combustion products into the living space.**

## Vent Piping Guidelines

**NOTE** - Lennox has approved the use of DuraVent® and Centrotherm manufactured vent pipe and terminations as an option to PVC. When using the PolyPro® by DuraVent or InnoFlue® by Centrotherm venting system the vent pipe requirements stated in the unit installation instruction – minimum & maximum vent lengths, termination clearances, etc. – apply and must be followed. Follow the instructions provided with PolyPro by DuraVent and InnoFlue by Centrotherm venting system for assembly or if requirements are more restrictive. The PolyPro by DuraVent and InnoFlue by Centrotherm venting system must also follow the uninsulated and unconditioned space criteria listed in table 14.

The ML196UHE can be installed as either a Non-Direct Vent or a Direct Vent gas central furnace.

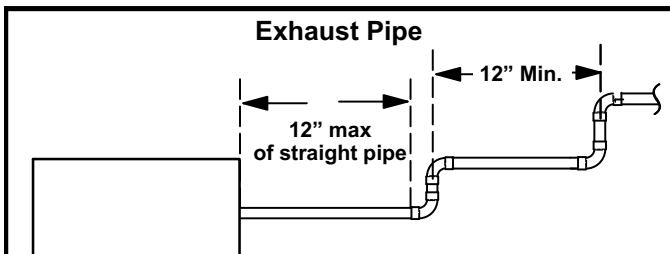
**NOTE** - In Non-Direct Vent installations, combustion air is taken from indoors and flue gases are discharged outdoors. In Direct Vent installations, combustion air is taken from outdoors and flue gases are discharged outdoors.

**Intake and exhaust pipe sizing** – Size pipe according to tables 11 and 12. Count all elbows in side and outside the home. Table 11 lists the *minimum* vent pipe lengths permitted. Table 12 lists the *maximum* pipe lengths permitted.

Regardless of the diameter of pipe used, the standard roof and wall terminations described in section *Exhaust Piping Terminations* should be used. Exhaust vent termination pipe is sized to optimize the velocity of the exhaust gas as it exits the termination. Refer to table 15.

In some applications which permit the use of several different sizes of vent pipe, a combination vent pipe may be used. Contact Lennox' Application Department for assistance in sizing vent pipe in these applications.

**NOTE** - The exhaust collar on all models is sized to accommodate 2" Schedule 40 vent pipe. In horizontal applications, any transition to exhaust pipe larger than 2" must be made in vertical runs of the pipe. Therefore a 2" elbow must be added before the pipe is transitioned to any size larger than 2". This elbow must be added to the elbow count used to determine acceptable vent lengths. Contact the Application Department for more information concerning sizing of vent systems which include multiple pipe sizes.



**Horizontal Application**

**NOTE** - All horizontal runs of exhaust pipe must slope back toward unit. A minimum of 1/4" (6mm) drop for each 12" (305mm) of horizontal run is mandatory for drainage.

**NOTE** - Exhaust pipe **MUST** be glued to furnace exhaust fittings.

**NOTE** - Exhaust piping should be checked carefully to make sure there are no sags or low spots.

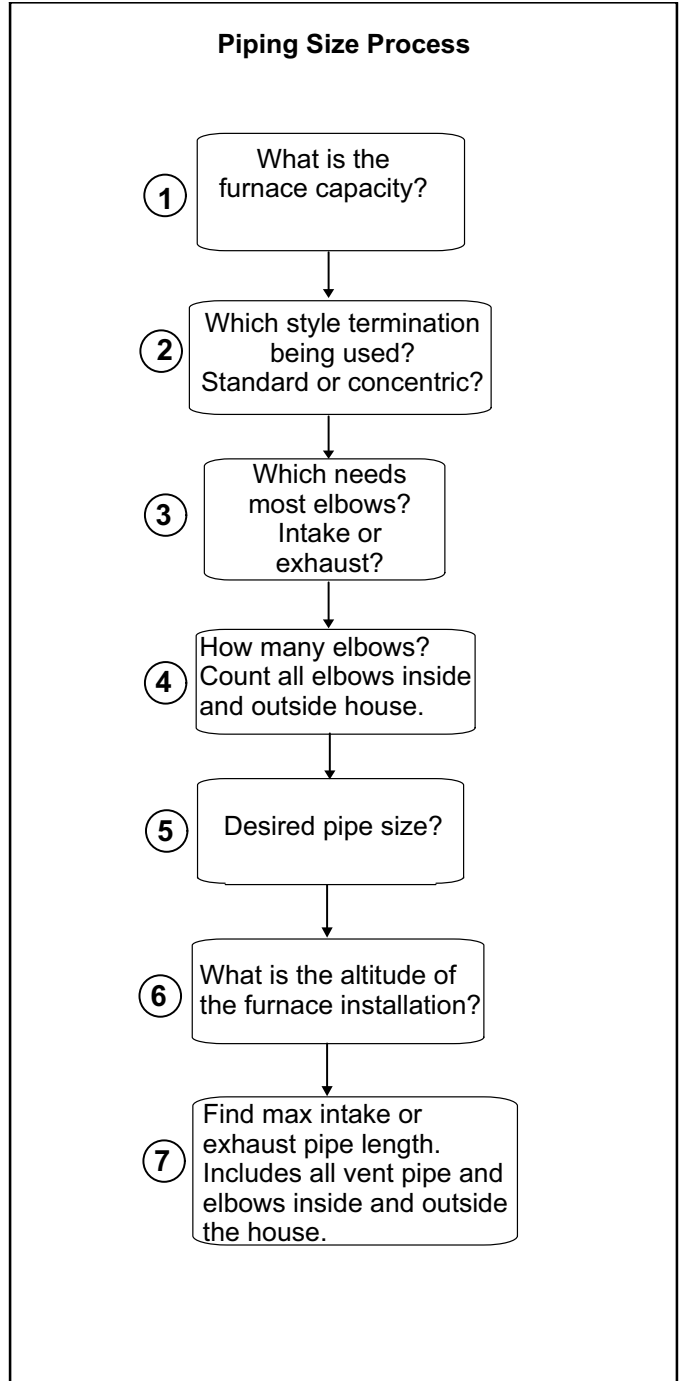
**FIGURE 23**

**TABLE 11  
MINIMUM VENT PIPE LENGTHS**

ML196UHE MODEL	MIN. VENT LENGTH*
030, 045, 070, 090, 110, 135	15 ft. or 5 ft. plus 2 elbows or 10 ft. plus 1 elbow

\*Any approved termination may be added to the minimum length listed.

Use the following steps to correctly size vent pipe diameter.



**FIGURE 24**

## ⚠ IMPORTANT

**Do not use screens or perforated metal in exhaust or intake terminations. Doing so will cause freeze-ups and may block the terminations.**

**TABLE 12**  
**Maximum Allowable Intake or Exhaust Vent Length in Feet**

*NOTE - Size intake and exhaust pipe length separately. Values in table are for Intake OR Exhaust, not combined total. Both Intake and Exhaust must be same pipe size.*

*NOTE - Additional vent pipe and elbows used to terminate the vent pipe outside the structure must be included in the total vent length calculation.*

Standard Termination at Elevation 0 - 4500 ft																					
Number Of 90° El-bows Used	1-1/2" Pipe					2" Pipe				2-1/2" Pipe				3" Pipe							
	Model					Model				Model				Model							
	030	045	070	090	110	030 045	070	090	110	030 045	070	090	110	030 045	070	090	110	135			
1	25	20	15	n/a	n/a	81	66	44	24	115	115	93	58	138	137	118	118	80			
2	20	15	10			76	61	39	19	110	110	88	53	133	132	113	113	75			
3	15	10	n/a			71	56	34	14	105	105	83	48	128	127	108	108	70			
4	10	n/a				66	51	29	n/a	100	100	78	43	123	122	103	103	65			
5	n/a					61	46	24		95	95	73	38	118	117	98	98	60			
6						56	41	19		90	90	68	33	113	112	93	93	55			
7						51	36	14		85	85	63	28	108	107	88	88	50			
8						46	31	n/a		80	80	58	23	103	102	83	83	45			
9						41	26			75	75	53	18	98	97	78	78	40			
10						36	21			70	70	48	13	93	92	73	73	35			
Standard Termination Elevation 4500 - 10,000 ft																					
Number Of 90° El-bows Used			1-1/2" Pipe					2" Pipe				2-1/2" Pipe				3" Pipe					
		Model					Model				Model				Model						
	030	045	070	090	110	030 045	070	090	110	030 045	070	090	110	030 045	070	090	110	135			
1	25	20	15	n/a	n/a	81	66	44	n/a	115	115	93	58	138	137	118	118	80			
2	20	15	10			76	61	39		110	110	88	53	133	132	113	113	75			
3	15	10	n/a			71	56	34		105	105	83	48	128	127	108	108	70			
4	10	n/a				66	51	29		100	100	78	43	123	122	103	103	65			
5	n/a					61	46	24		95	95	73	38	118	117	98	98	60			
6						56	41	19		90	90	68	33	113	112	93	93	55			
7						51	36	14		85	85	63	28	108	107	88	88	50			
8						46	31	n/a		80	80	58	23	103	102	83	83	45			
9						41	26			75	75	53	18	98	97	78	78	40			
10						36	21			70	70	48	13	93	92	73	73	35			

**TABLE 12 Continued**  
**Maximum Allowable Intake or Exhaust Vent Length in Feet**

*\*Size intake and exhaust pipe length separately. Values in table are for Intake OR Exhaust, not combined total. Both Intake and Exhaust must be same pipe size.*

Concentric Termination at Elevation 0 - 4500 ft																								
Number Of 90° Elbows Used	1-1/2" Pipe					2" Pipe				2-1/2" Pipe				3" Pipe										
	Model					Model				Model				Model										
	030	045	070	090	110	030 045	070	090	110	030 045	070	090	110	030 045	070	090	110	135						
1	20	15	10	n/a	n/a	73	58	42	22	105	105	89	54	121	121	114	114	70						
2	15	10	n/a			n/a	68	53	37	17	100	100	84	49	116	116	109	109	65					
3	10	n/a					n/a	n/a	63	48	32	12	95	95	79	44	111	111	104	104	60			
4	n/a								n/a	n/a	n/a	58	43	27	n/a	90	90	74	39	106	106	99	99	55
5												53	38	22		85	85	69	34	101	101	94	94	50
6												48	33	17		80	80	64	29	96	96	89	89	45
7												43	28	12		75	75	59	24	91	91	84	84	40
8												38	23	n/a		70	70	54	19	86	86	79	79	35
9												33	18			65	65	49	14	81	81	74	74	30
10												28	13			60	60	44	n/a	76	76	69	69	25
Concentric Termination Elevation 4501 - 10,000 ft																								
Number Of 90° Elbows Used	1-1/2" Pipe					2" Pipe				2-1/2" Pipe				3" Pipe										
	Model					Model				Model				Model										
	030	045	070	090	110	030 045	070	090	110	030 045	070	090	110	030 045	070	090	110	135						
1	20	15	10	n/a	n/a	73	58	42	n/a	105	105	89	54	121	121	114	114	70						
2	15	10	n/a			n/a	68	53		37	100	100	84	49	116	116	109	109	65					
3	10	n/a					n/a	n/a		63	48	32	95	95	79	44	111	111	104	104	60			
4	n/a									n/a	n/a	n/a	58	43	27	90	90	74	39	106	106	99	99	55
5													53	38	22	85	85	69	34	101	101	94	94	50
6													48	33	17	80	80	64	29	96	96	89	89	45
7													43	28	12	75	75	59	24	91	91	84	84	40
8													38	23	n/a	70	70	54	19	86	86	79	79	35
9													33	18		65	65	49	14	81	81	74	74	30
10													28	13		60	60	44	n/a	76	76	69	69	25



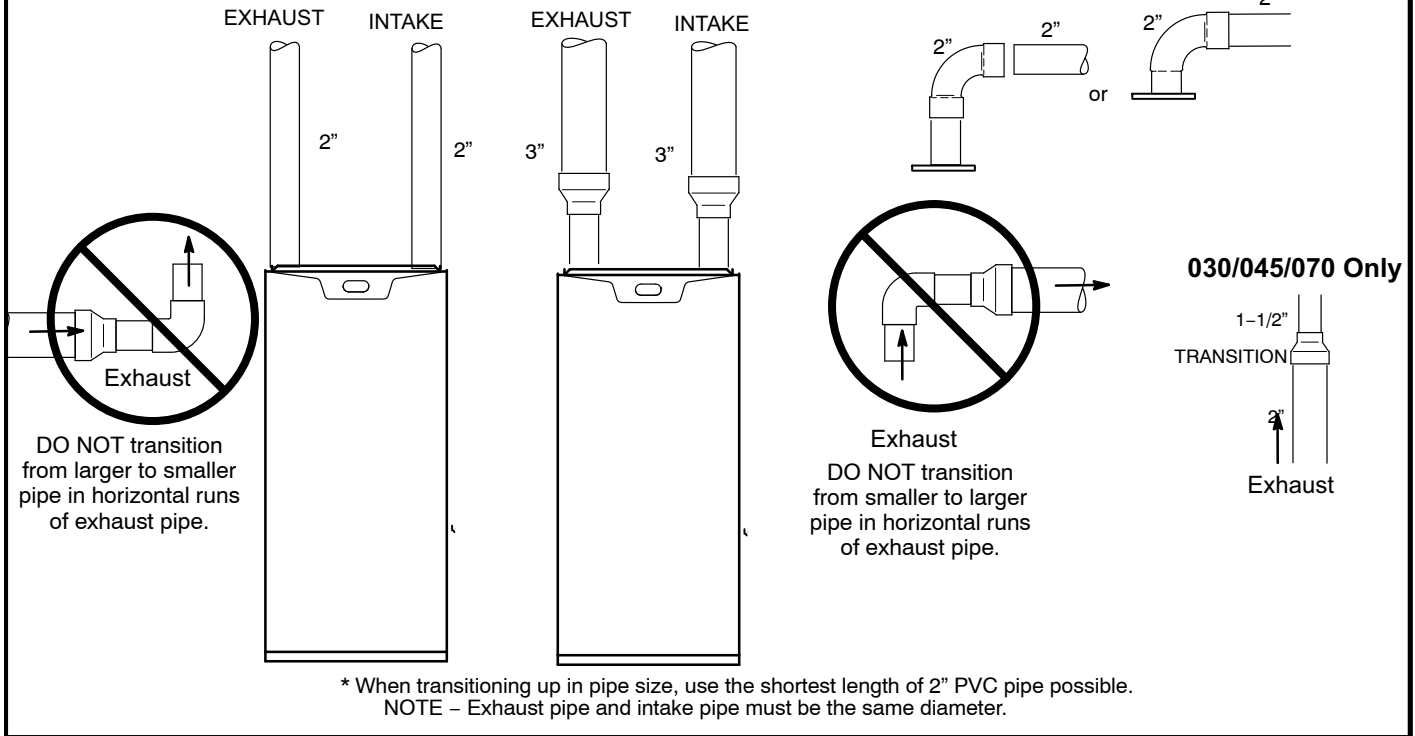
**TABLE 13**

**Maximum Allowable Exhaust Vent Lengths With Furnace Installed in a Closet or Basement Using Ventilated Attic or Crawl Space For Intake Air in Feet**

*NOTE - Additional vent pipe and elbows used to terminate the vent pipe outside the structure must be included in the total vent length calculation.*

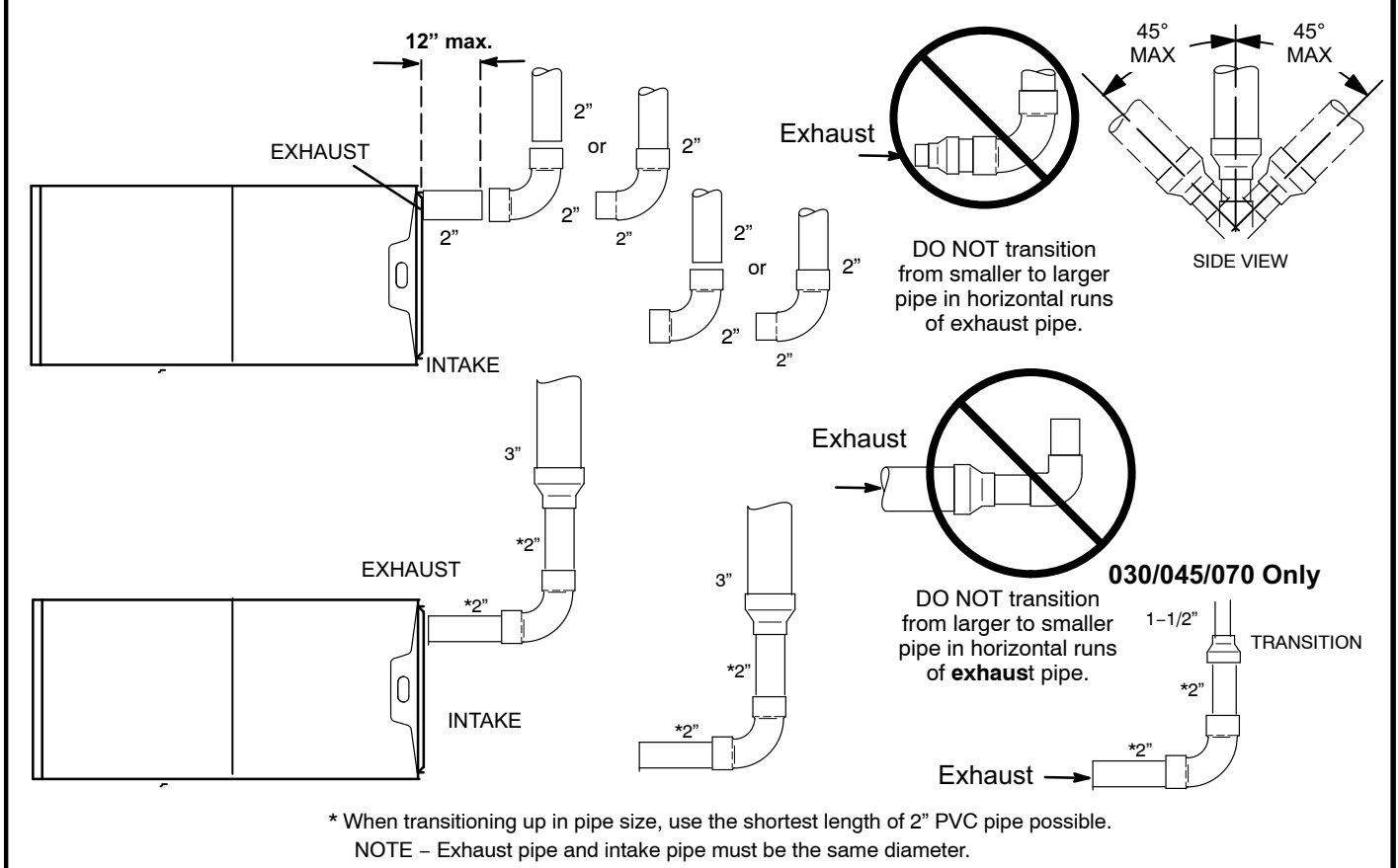
Standard Termination at Elevation 0 - 10,000 ft																								
Number Of 90° Elbows Used	1-1/2" Pipe					2" Pipe				2-1/2" Pipe				3" Pipe										
	Model					Model				Model				Model										
	030	045	070	090	110	030 045	070	090	110	030 045	070	090	110	030 045	070	090	110	135						
1	20	15	10	n/a	n/a	71	56	34	14	100	100	78	43	118	117	98	98	60						
2	15	10	n/a			n/a	66	51	29	9	95	95	73	38	113	112	93	93	55					
3	10	n/a					n/a	n/a	61	46	24	4	90	90	68	33	108	107	88	88	50			
4	n/a								n/a	n/a	n/a	56	41	19	n/a	85	85	63	28	103	102	83	83	45
5												51	36	14		80	80	58	23	98	97	78	78	40
6												46	31	9		85	75	63	18	93	92	73	73	35
7												41	26	4		70	70	48	13	88	87	68	68	30
8												36	21	n/a		65	65	43	8	83	82	63	63	25
9												31	16			60	60	38	3	78	77	58	58	20
10												26	11			55	55	33	n/a	73	72	53	53	15

**TYPICAL EXHAUST AND INTAKE PIPE CONNECTIONS IN UPFLOW  
DIRECT OR NON-DIRECT VENT APPLICATIONS**



**FIGURE 25**

**TYPICAL EXHAUST AND INTAKE PIPE CONNECTIONS IN HORIZONTAL DIRECT OR  
NON-DIRECT VENT APPLICATIONS (RIGHT HAND DISCHARGE SHOWN)**



**FIGURE 26**

## Intake Piping

The ML196UHE furnace may be installed in either **direct vent** or **non-direct vent** applications. In non-direct vent applications, when intake air will be drawn into the furnace from the surrounding space, the indoor air quality must be considered and guidelines listed in Combustion, Dilution and Ventilation Air section must be followed.

Follow the next two steps when installing the unit in **Direct Vent applications**, where combustion air is taken from outdoors and flue gases are discharged outdoors. **The provided air intake screen must not be used in direct vent applications (outdoors).**

- 1 - Use transition solvent cement or a sheet metal screw to secure the intake pipe to the inlet air connector.
- 2 - Route piping to outside of structure. Continue with installation following instructions given in general guidelines for piping terminations and intake and exhaust piping terminations for direct vent sections. Refer to table 12 for pipe sizes.

Follow the next two steps when installing the unit in **Non-Direct Vent applications** where combustion air is taken from indoors and flue gases are discharged outdoors.

- 1 - Use field-provided materials and the factory-provided air intake screen to route the intake piping as shown in figure 27 or 28. Maintain a minimum clearance of 3" (76mm) around the air intake opening. The air intake opening (with the protective screen) should always be directed forward or to either side in the upflow position, and either straight out or downward in the horizontal position.  
**The air intake piping must not terminate too close to the flooring or a platform. Ensure that the intake air inlet will not be obstructed by loose insulation or other items that may clog the debris screen.**
- 2 - If intake air is drawn from a ventilated attic (figure 29) or ventilated crawlspace (figure 30) the exhaust vent length must not exceed those listed in table 13. If 3" diameter pipe is used, reduce to 2" diameter pipe at the termination point to accommodate the debris screen.
- 3 - Use a sheet metal screw to secure the intake pipe to the connector, if desired.

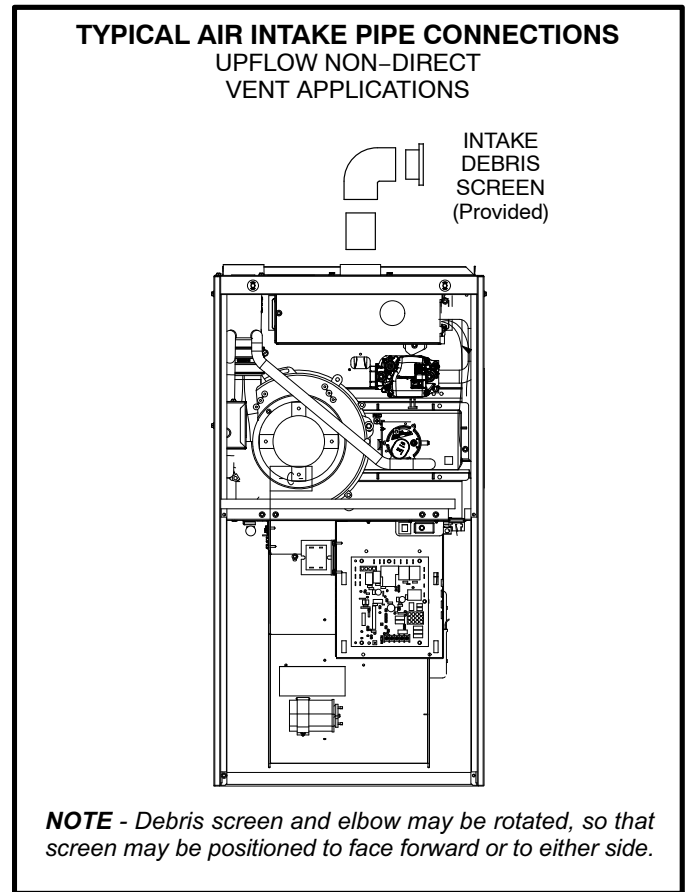


FIGURE 27

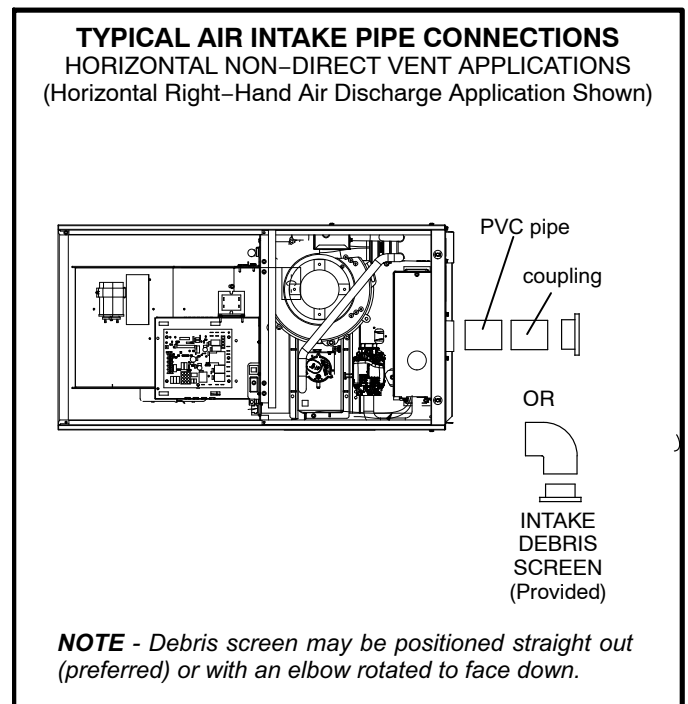


FIGURE 28

## ⚠ CAUTION

If this unit is being installed in an application with combustion air coming in from a space serviced by an exhaust fan, power exhaust fan, or other device which may create a negative pressure in the space, take care when sizing the inlet air opening. The inlet air opening must be sized to accommodate the maximum volume of exhausted air as well as the maximum volume of combustion air required for all gas appliances serviced by this space.

## General Guidelines for Vent Terminations

In Non-Direct Vent applications, combustion air is taken from indoors and the flue gases are discharged to the outdoors. The ML196UHE is then classified as a non-direct vent, Category IV gas furnace.

In Direct Vent applications, combustion air is taken from outdoors and the flue gases are discharged to the outdoors. The ML196UHE is then classified as a direct vent, Category IV gas furnace.

In both Non-Direct Vent and Direct Vent applications, the vent termination is limited by local building codes. In the absence of local codes, refer to the current National Fuel Gas Code ANSI Z223-1/NFPA 54 in U.S.A., and current CSA-B149 Natural Gas and Propane Installation Codes in Canada for details.

Position termination according to location given in figure 32 or 33. In addition, position termination so it is free from any obstructions and 12" above the average snow accumulation.

At vent termination, care must be taken to maintain protective coatings over building materials (prolonged exposure to exhaust condensate can destroy protective coatings). It is recommended that the exhaust outlet not be located within 6 feet (1.8m) of a condensing unit because the condensate can damage the painted coating.

**NOTE** - See table 14 for maximum allowed exhaust pipe length without insulation in unconditioned space during winter design temperatures below 32°F (0°C). If required exhaust pipe should be insulated with 1/2" (13mm) Armaflex or equivalent. In extreme cold climate areas, 3/4" (19mm) Armaflex or equivalent may be necessary. Insulation must be protected from deterioration. Armaflex with UV protection is permissible. Basements or other enclosed areas that are not exposed to the outdoor ambient temperature and are above 32 degrees F (0°C) are to be considered conditioned spaces.

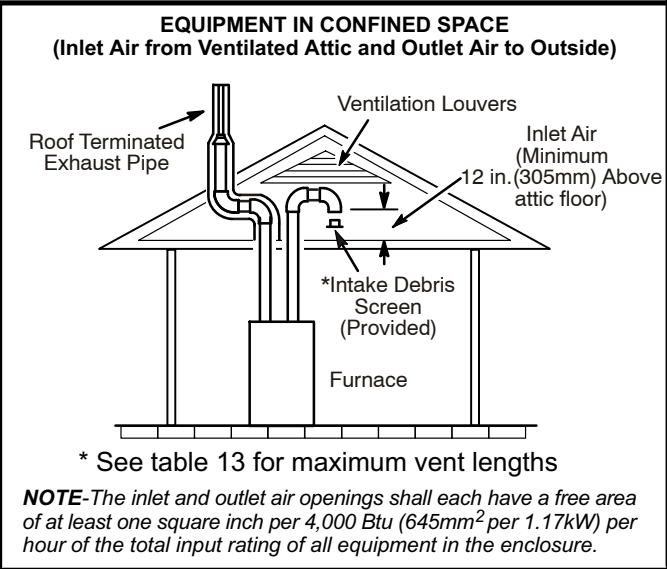


FIGURE 29

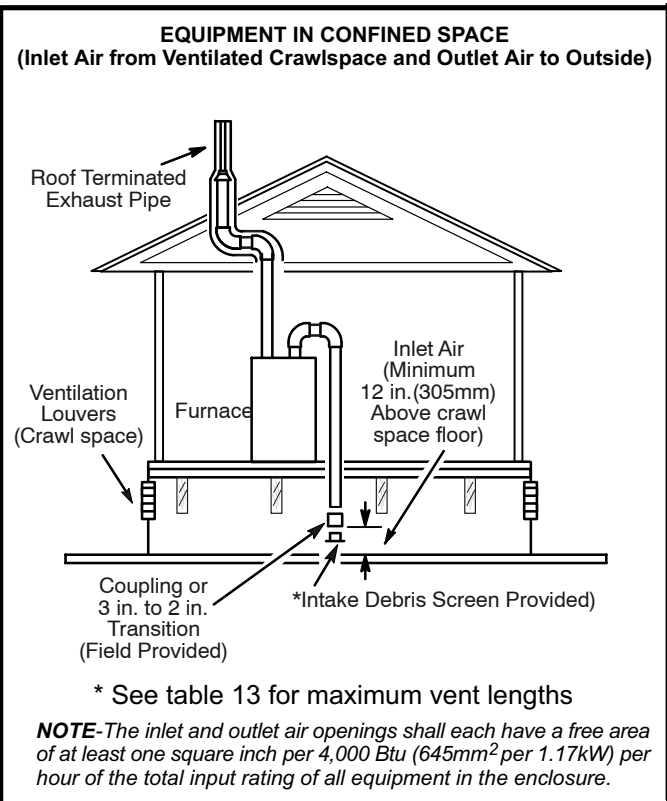


FIGURE 30

## ⚠ IMPORTANT

Do not use screens or perforated metal in exhaust terminations. Doing so will cause freeze-ups and may block the terminations.

## ⚠ IMPORTANT

**For Canadian Installations Only:**  
In accordance to CSA International B149 installation codes, the minimum allowed distance between the combustion air intake inlet and the exhaust outlet of other appliances shall not be less than 12 inches (305mm).

**TABLE 14**  
**Maximum Allowable Exhaust Vent Pipe Length (in ft.)<sup>3</sup> Without Insulation In Unconditioned Space For**  
**Winter Design Temperatures Single - Stage High Efficiency Furnace**

Winter Design Temperatures <sup>1</sup> °F (°C)	Vent Pipe Diameter	Unit Input Size													
		030		045		070		090		110		135			
		PVC	<sup>2</sup> PP	PVC	<sup>2</sup> PP	PVC	<sup>2</sup> PP	PVC	<sup>2</sup> PP	PVC	<sup>2</sup> PP	PVC	<sup>2</sup> PP		
32 to 21 (0 to -6)	1-1/2 in.	N/A	N/A	25	N/A	20	N/A	N/A	N/A	N/A	N/A	N/A	N/A		
	2 in.			18	16	31	28	50	48	30	30	N/A	N/A		
	2-1/2 in.			13	N/A	24	N/A	42	N/A	56	N/A	N/A	N/A		
	3 in.			9	9	18	18	35	35	47	47	42	42		
20 to 1 (-7 to -17)	1-1/2 in.					15	N/A	20	N/A	N/A	N/A	N/A	N/A	N/A	N/A
	2 in.					9	8	18	16	32	29	30	30	N/A	N/A
	2-1/2 in.					5	N/A	13	N/A	24	N/A	34	N/A	N/A	N/A
	3 in.					N/A	N/A	8	8	19	19	26	26	23	23
0 to -20 (-18 to -29)	1-1/2 in.					10	N/A	15	N/A	N/A	N/A	N/A	N/A	N/A	N/A
	2 in.					5	3	12	10	22	19	30	27	N/A	N/A
	2-1/2 in.					N/A	N/A	7	N/A	15	N/A	22	N/A	N/A	N/A
	3 in.					N/A	N/A	N/A	N/A	10	10	16	16	13	13

<sup>1</sup>Refer to 99% Minimum Design Temperature table provided in the current edition of the ASHRAE Fundamentals Handbook.

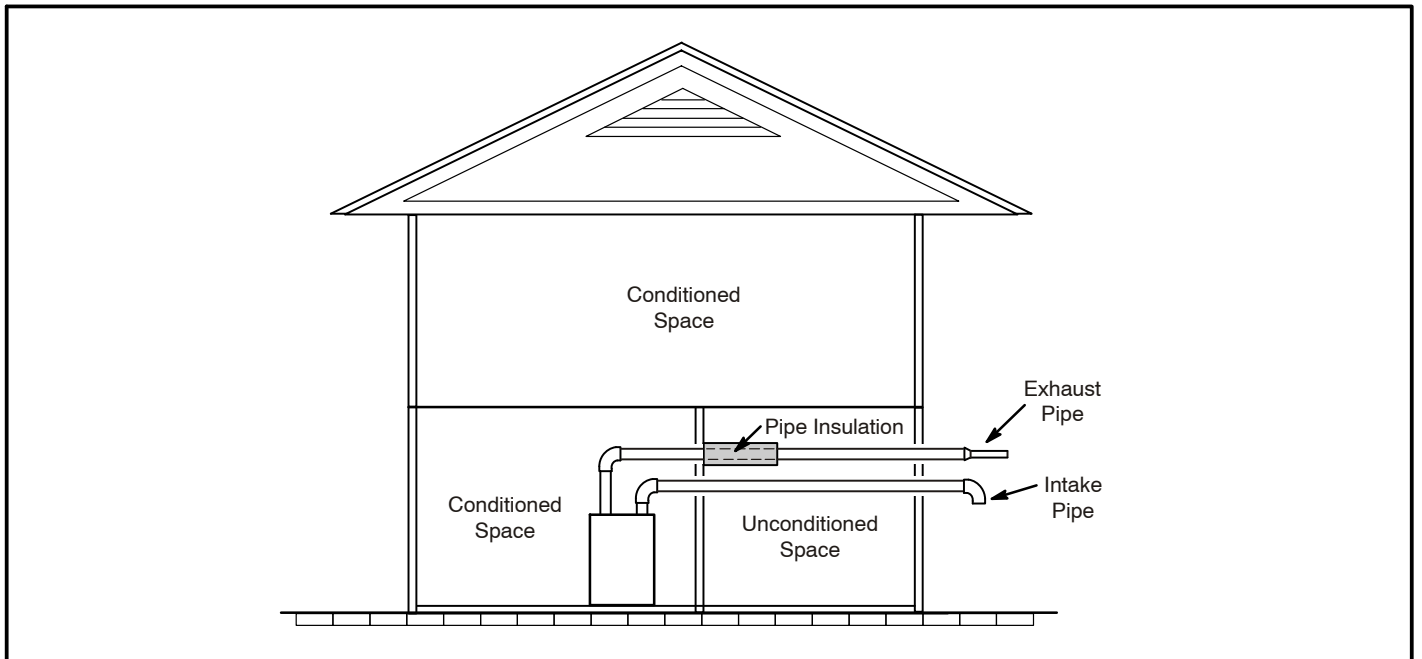
<sup>2</sup>Poly-Propylene vent pipe (PP) by Duravent and Centrotherm.

NOTE - Concentric terminations are the equivalent of 5' and should be considered when measuring pipe length.

NOTE - Maximum uninsulated vent lengths listed may include the termination (vent pipe exterior to the structure) and cannot exceed 5 linear feet or the maximum allowable intake or exhaust vent length listed in table 12 or 13 which ever is less.

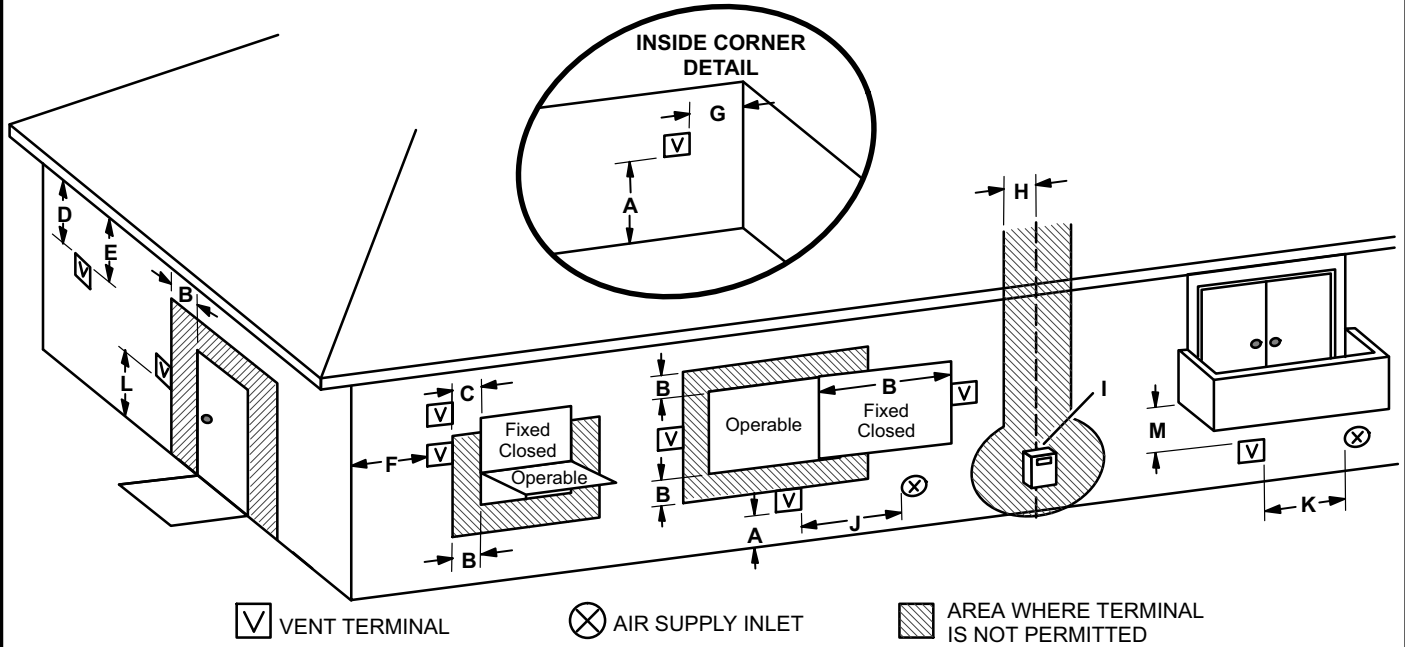
NOTE - If insulation is required in an unconditioned space, it must be located on the pipe closest to the furnace. See figure 31.

<sup>3</sup>Vent length in the table is equivalent length. Each elbow is equivalent to 5ft of straight pipe length and should be included in measuring total pipe length.



**FIGURE 31**

## VENT TERMINATION CLEARANCES FOR NON-DIRECT VENT INSTALLATIONS IN THE USA AND CANADA



	US Installations <sup>1</sup>	Canadian Installations <sup>2</sup>
A =	Clearance above grade, veranda, porch, deck or balcony	12 inches (305mm) or 12 in. (305mm) above average snow accumulation.
B =	Clearance to window or door that may be opened	4 feet (1.2 m) below or to side of opening; 1 foot (30cm) above opening
C =	Clearance to permanently closed window	* 12"
D =	Vertical clearance to ventilated soffit located above the terminal within a horizontal distance of 2 feet (610 mm) from the center line of the terminal	* Equal to or greater than soffit depth.
E =	Clearance to unventilated soffit	* Equal to or greater than soffit depth.
F =	Clearance to outside corner	* No minimum to outside corner
G =	Clearance to inside corner	*
H =	Clearance to each side of center line extended above meter / regulator assembly	* 3 feet (.9m) within a height 15 feet (4.5m) above the meter / regulator assembly
I =	Clearance to service regulator vent outlet	* 3 feet (.9m)
J =	Clearance to non-mechanical air supply inlet to building or the combustion air inlet to any other appliance	6 inches (152mm) for appliances <10,000 Btuh (3kw), 12 inches (305mm) for appliances > 10,000 Btuh (3kw) and <100,000 Btuh (30kw), 36 inches (.9m) for appliances > 100,000 Btuh (30kw)
K =	Clearance to mechanical air supply inlet	3 feet (.9m) above if within 10 feet (3m) horizontally
L =	Clearance above paved sidewalk or paved driveway located on public property	7 feet (2.1m)†
M =	Clearance under veranda, porch, deck or balcony	*12 inches (305mm)‡

<sup>1</sup> In accordance with the current ANSI Z223.1/NFPA 54 Natural Fuel Gas Code

<sup>2</sup> In accordance with the current CSA B149.1, Natural Gas and Propane Installation Code

† A vent shall not terminate directly above a sidewalk or paved driveway that is located between two single family dwellings and serves both dwellings.

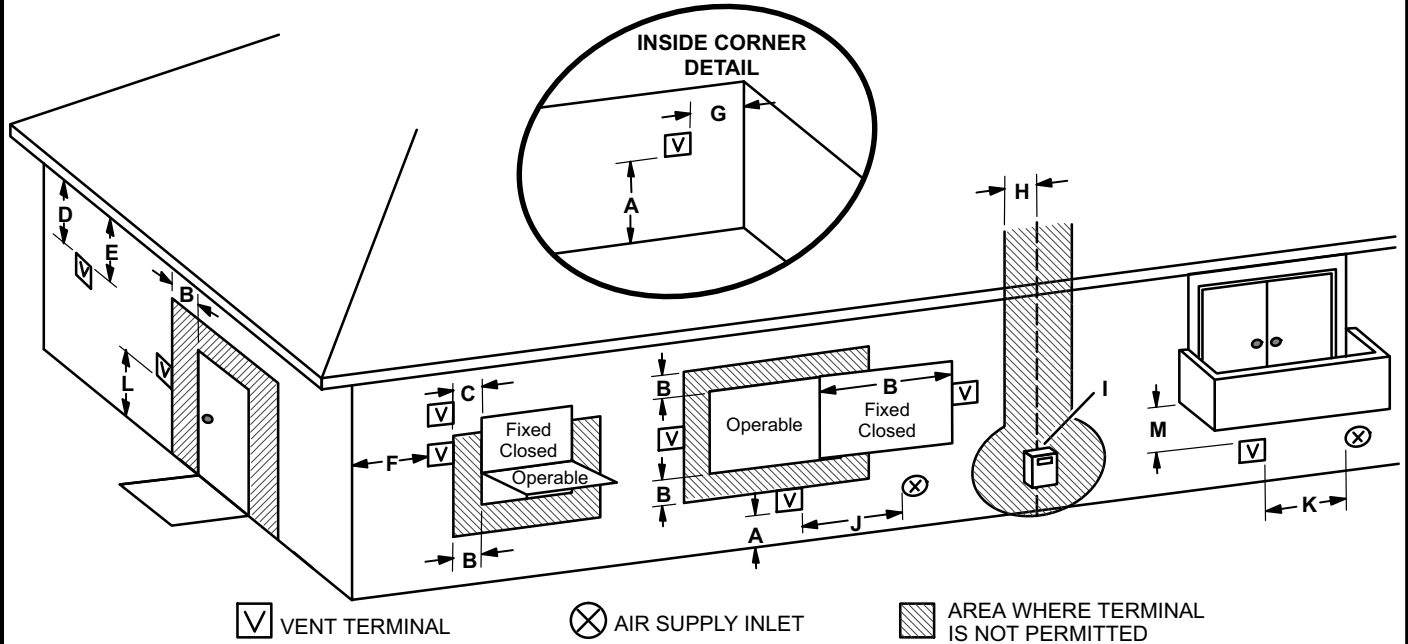
‡ Permitted only if veranda, porch, deck or balcony is fully open on a minimum of two sides beneath the floor. Lennox recommends avoiding this location if possible.

\*For clearances not specified in ANSI Z223.1/NFPA 54 or CSA B149.1, clearance will be in accordance with local installation codes and the requirements of the gas supplier and these installation instructions."

**FIGURE 32**



## VENT TERMINATION CLEARANCES FOR DIRECT VENT INSTALLATIONS IN THE USA AND CANADA



	US Installations <sup>1</sup>	Canadian Installations <sup>2</sup>	
A =	Clearance above grade, veranda, porch, deck or balcony	12 inches (305mm) or 12 in. (305mm) above average snow accumulation.	12 inches (305mm) or 12 in. (305mm) above average snow accumulation.
B =	Clearance to window or door that may be opened	6 inches (152mm) for appliances <10,000 Btuh (3kw), 9 inches (228mm) for appliances > 10,000 Btuh (3kw) and <50,000 Btuh (15 kw), 12 inches (305mm) for appliances > 50,000 Btuh (15kw)	6 inches (152mm) for appliances <10,000 Btuh (3kw), 12 inches (305mm) for appliances > 10,000 Btuh (3kw) and <100,000 Btuh (30kw), 36 inches (.9m) for appliances > 100,000 Btuh (30kw)
C =	Clearance to permanently closed window	* 12"	* 12"
D =	Vertical clearance to ventilated soffit located above the terminal within a horizontal distance of 2 feet (610mm) from the center line of the terminal	* Equal to or greater than soffit depth	* Equal to or greater than soffit depth
E =	Clearance to unventilated soffit	* Equal to or greater than soffit depth	* Equal to or greater than soffit depth
F =	Clearance to outside corner	* No minimum to outside corner	* No minimum to outside corner
G =	Clearance to inside corner	*	*
H =	Clearance to each side of center line extended above meter / regulator assembly	3 feet (.9m) within a height 15 feet (4.5m) above the meter / regulator assembly	3 feet (.9m) within a height 15 feet (4.5m) above the meter / regulator assembly
I =	Clearance to service regulator vent outlet	* 3 feet (.9m)	3 feet (.9m)
J =	Clearance to non-mechanical air supply inlet to building or the combustion air inlet to any other appliance	6 inches (152mm) for appliances <10,000 Btuh (3kw), 9 inches (228mm) for appliances > 10,000 Btuh (3kw) and <50,000 Btuh (15 kw), 12 inches (305mm) for appliances > 50,000 Btuh (15kw)	6 inches (152mm) for appliances <10,000 Btuh (3kw), 12 inches (305mm) for appliances > 10,000 Btuh (3kw) and <100,000 Btuh (30kw), 36 inches (.9m) for appliances > 100,000 Btuh (30kw)
K =	Clearance to mechanical air supply inlet	3 feet (.9m) above if within 10 feet (3m) horizontally	6 feet (1.8m)
L =	Clearance above paved sidewalk or paved driveway located on public property	* 7 feet (2.1m)	7 feet (2.1m)†
M =	Clearance under veranda, porch, deck or balcony	*12 inches (305mm)‡	12 inches (305mm)‡

<sup>1</sup> In accordance with the current ANSI Z223.1/NFPA 54 Natural Fuel Gas Code

<sup>2</sup> In accordance with the current CSA B149.1, Natural Gas and Propane Installation Code

† A vent shall not terminate directly above a sidewalk or paved driveway that is located between two single family dwellings and serves both dwellings.

‡ Permitted only if veranda, porch, deck or balcony is fully open on a minimum of two sides beneath the floor. Lennox recommends avoiding this location if possible.

\*For clearances not specified in ANSI Z223.1/NFPA 54 or CSA B149.1, clearance will be in accordance with local installation codes and the requirements of the gas supplier and these installation instructions."

**FIGURE 33**

**Details of Intake and Exhaust Piping Terminations for Direct Vent Installations**

**NOTE** - In Direct Vent installations, combustion air is taken from outdoors and flue gases are discharged to outdoors.

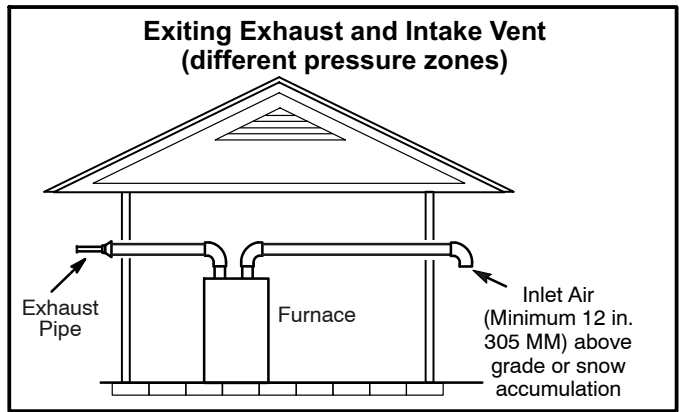
**NOTE** - Flue gas may be slightly acidic and may adversely affect some building materials. If any vent termination is used and the flue gasses may impinge on the building material, a corrosion-resistant shield (minimum 24 inches square) should be used to protect the wall surface. If the optional tee is used, the protective shield is recommended. The shield should be constructed using wood, plastic, sheet metal or other suitable material. All seams, joints, cracks, etc. in the affected area should be sealed using an appropriate sealant. See figure 42.

Intake and exhaust pipes may be routed either horizontally through an outside wall or vertically through the roof. In attic or closet installations, vertical termination through the roof is preferred. Figures 34 through 41 show typical terminations.

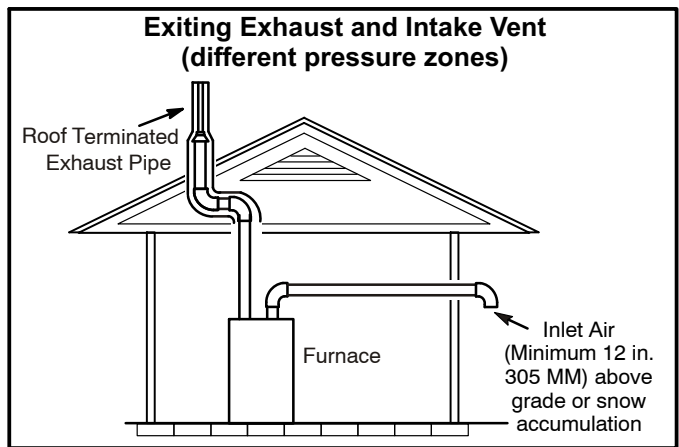
1. Intake and exhaust terminations are not required to be in the same pressure zone. You may exit the intake on one side of the structure and the exhaust on another side (figure 35). You may exit the exhaust out the roof and the intake out the side of the structure (figure 36).
2. Intake and exhaust pipes should be placed as close together as possible at termination end (refer to illustrations). Maximum separation is 3" (76mm) on roof terminations and 6" (152mm) on side wall terminations.

**NOTE** - When venting in different pressure zones, the maximum separation requirement of intake and exhaust pipe DOES NOT apply.

3. On roof terminations, the intake piping should terminate straight down using two 90° elbows (See figure 34).
4. Exhaust piping must terminate straight out or up as shown. A reducer may be required on the exhaust piping at the point where it exits the structure to improve the velocity of exhaust away from the intake piping. See table 15.



**FIGURE 35**



**FIGURE 36**

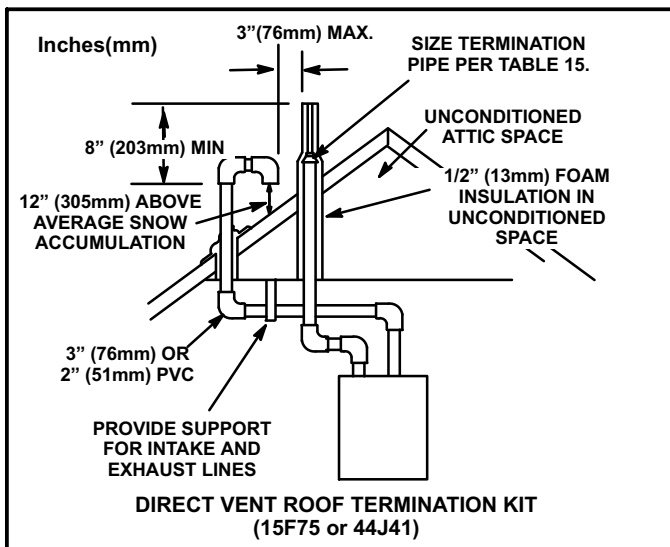
**TABLE 15  
EXHAUST PIPE TERMINATION SIZE REDUCTION**

ML196UHE MODEL	Exhaust Pipe Size	Termination Pipe Size
*030, 045 and 070		1-1/2" (38mm)
*090	2" (51mm), 2-1/2" (64mm), 3" (76mm)	2" (51mm)
110		2" (51mm)
135		2" (51mm)

\*ML196UHE-030, -045, -070 and -090 units with the flush mount termination must use the 1-1/2" accelerator supplied with the kit.

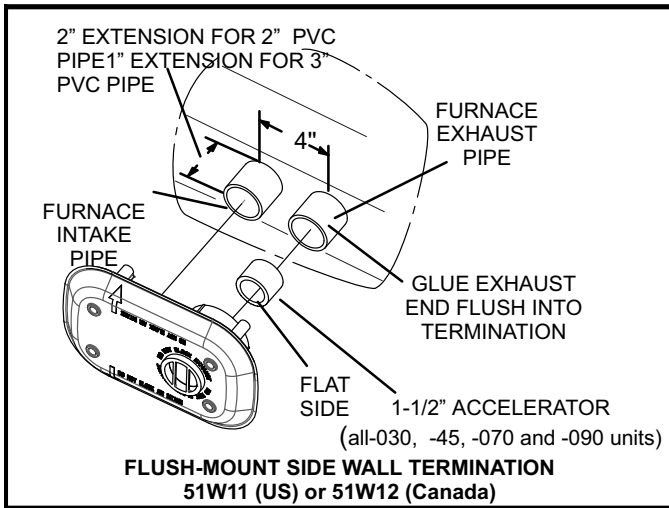
**NOTE** - Care must be taken to avoid recirculation of exhaust back into intake pipe.

5. On field-supplied terminations for side wall exit, exhaust piping may extend a maximum of 12 inches (305mm) for 2" PVC and 20 inches (508mm) for 3" (76mm) PVC beyond the outside wall. Intake piping should be as short as possible. See figure 42.
6. On field-supplied terminations, a minimum distance between the end of the exhaust pipe and the end of the intake pipe without a termination elbow is 8" and a minimum distance of 6" with a termination elbow. See figure 42.

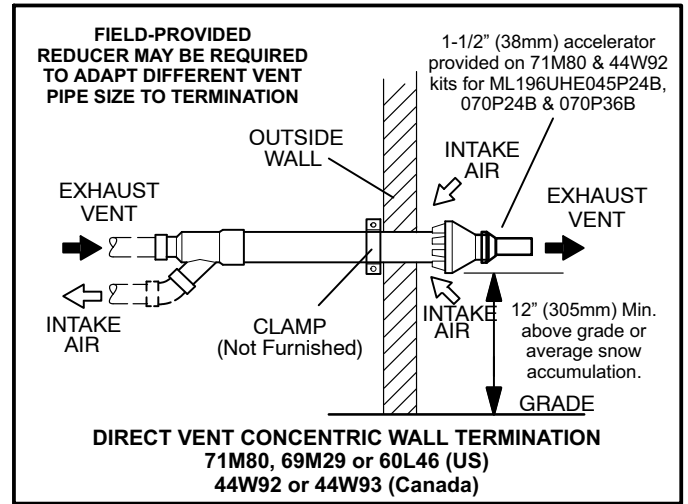


**FIGURE 34**

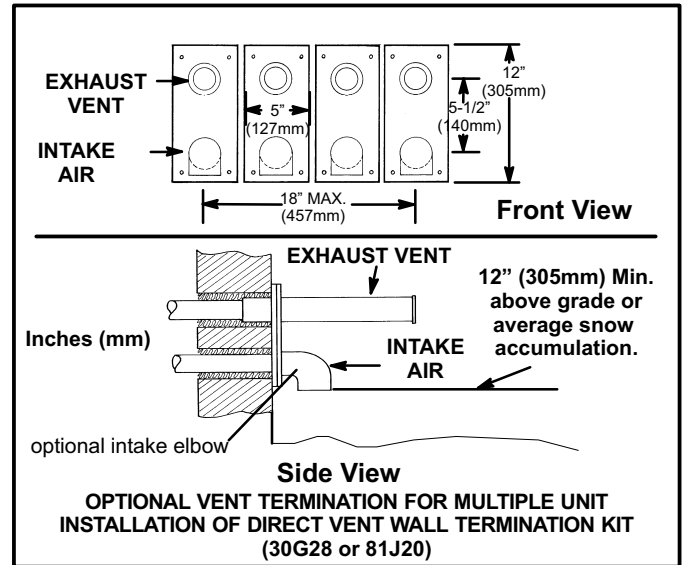
- If intake and exhaust piping must be run up a side wall to position above snow accumulation or other obstructions, piping must be supported. At least one bracket must be used within 6" from the top of the elbow and then every 24" (610mm) as shown in figure 42, to prevent any movement in any direction. When exhaust and intake piping must be run up an outside wall, the exhaust piping must be terminated with pipe sized per table 15. The intake piping may be equipped with a 90° elbow turndown. Using turndown will add 5 feet (1.5m) to the equivalent length of the pipe
- A multiple furnace installation may use a group of up to four terminations assembled together horizontally, as shown in figure 40.



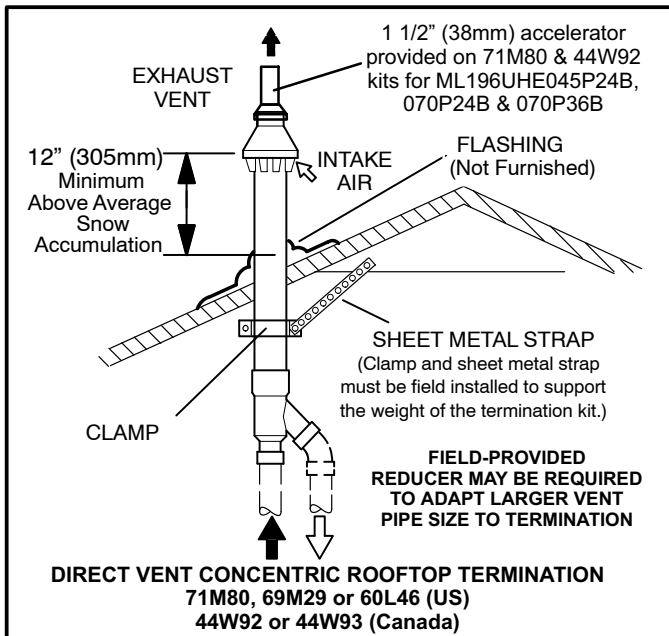
**FIGURE 37**



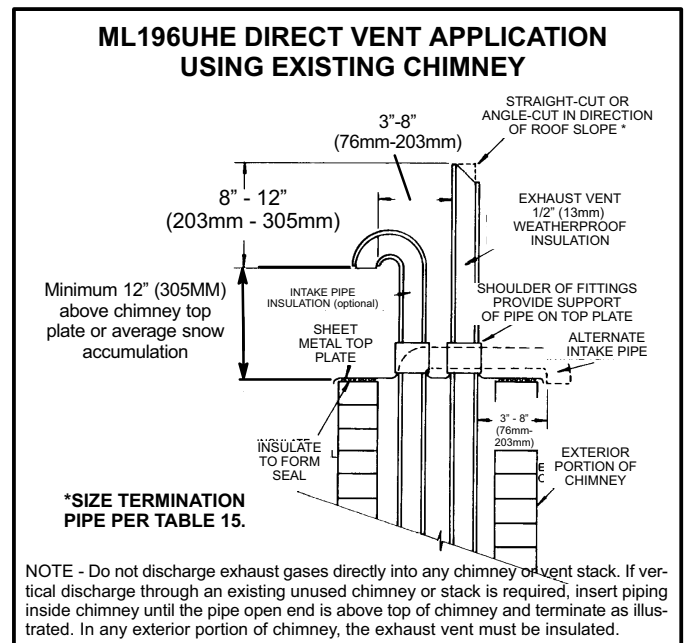
**FIGURE 39**



**FIGURE 40**



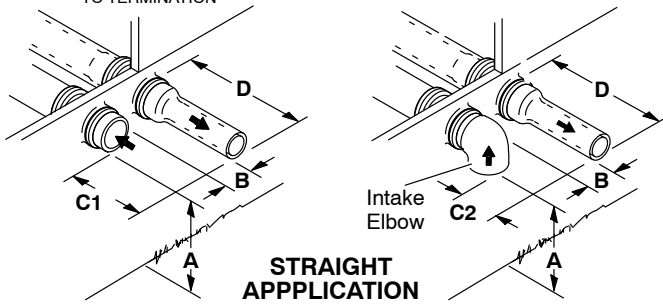
**FIGURE 38**



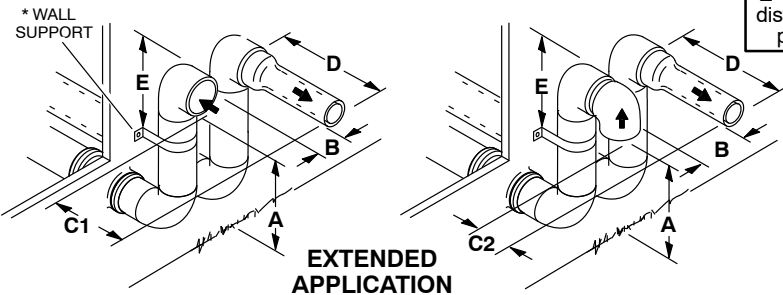
**FIGURE 41**

## FIELD FABRICATED WALL TERMINATION

NOTE - FIELD-PROVIDED REDUCER MAY BE REQUIRED TO ADAPT LARGER VENT PIPE SIZE TO TERMINATION



	2" (51mm) Vent Pipe	3" (76mm) Vent Pipe
<b>A</b> - Minimum clearance above grade or average snow accumulation	12" (305 mm)	12" (305 mm)
<b>B</b> - Maximum horizontal separation between intake and exhaust	6" (152 mm)	6" (152 mm)
<b>C1</b> - Minimum from end of exhaust to inlet of intake	8" (203 mm)	8" (203 mm)
<b>C2</b> - Minimum from end of exhaust to inlet of intake	6" (152 mm)	6" (152 mm)
<b>D</b> - Maximum exhaust pipe length	12" (305 mm)	20" (508 mm)
<b>E</b> - Maximum wall support distance from top of each pipe (intake/exhaust)	6" (152 mm)	6" (152 mm)

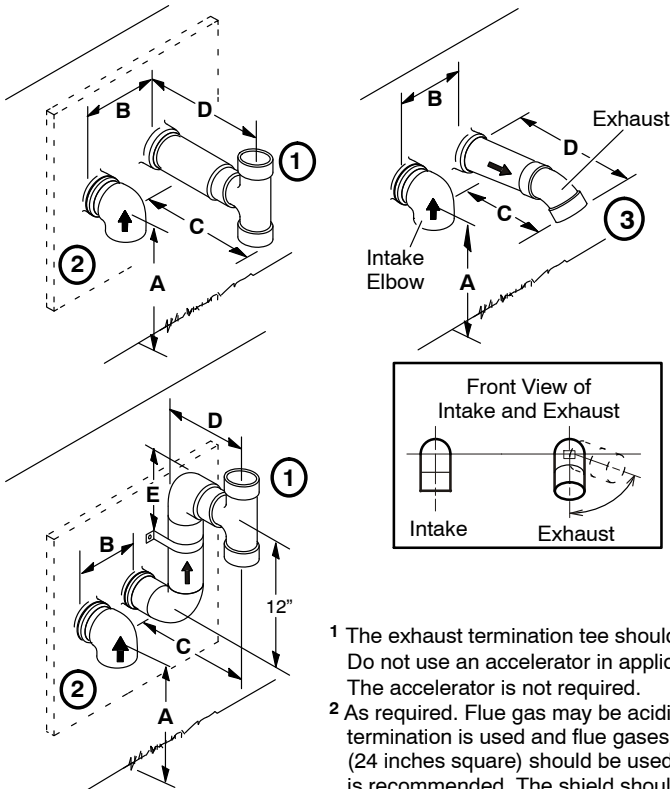


See venting table 12 for maximum venting lengths with this arrangement.

\* Use wall support every 24" (610 mm). Use two wall supports if extension is greater than 24" (610 mm) but less than 48" (1219 mm).

NOTE - One wall support must be within 6" (152 mm) from top of each pipe (intake and exhaust) to prevent movement in any direction.

### ALTERNATE TERMINATIONS (TEE & FORTY-FIVE DEGREE ELBOWS ONLY)



	2" (51MM) Vent Pipe	3" (76MM) Vent Pipe
<b>A</b> - Clearance above grade or average snow accumulation	12" (305 mm) Min.	12" (305 mm) Min.
<b>B</b> - Horizontal separation between intake and exhaust	6" (152 mm) Min. 24" (610 mm) Max.	6" (152 mm) Min. 24" (610 mm) Max.
<b>C</b> - Minimum from end of exhaust to inlet of intake	9" (227 mm) Min.	9" (227 mm) Min.
<b>D</b> - Exhaust pipe length	12" (305 mm) Min. 16" (405 mm) Max.	12" (305 mm) Min. 20" (508 mm) Max.
<b>E</b> - Wall support distance from top of each pipe (intake/exhaust)	6" (152 mm) Max.	6" (152 mm) Max.

- 1 The exhaust termination tee should be connected to the 2" or 3" PVC flue pipe as shown in the illustration. Do not use an accelerator in applications that include an exhaust termination tee. The accelerator is not required.
- 2 As required. Flue gas may be acidic and may adversely affect some building materials. If a side wall vent termination is used and flue gases will impinge on the building materials, a corrosion-resistant shield (24 inches square) should be used to protect the wall surface. If optional tee is used, the protective shield is recommended. The shield should be constructed using wood, sheet metal or other suitable material. All seams, joints, cracks, etc. in affected area, should be sealed using an appropriate sealant.
- 3 Exhaust pipe 45° elbow can be rotated to the side away from the combustion air inlet to direct exhaust away from adjacent property. The exhaust must never be directed toward the combustion air inlet.

**FIGURE 42**

## Details of Exhaust Piping Terminations for Non-Direct Vent Applications

Exhaust pipes may be routed either horizontally through an outside wall or vertically through the roof. In attic or closet installations, vertical termination through the roof is preferred. Figures 43 through 44 show typical terminations.

1. Exhaust piping must terminate straight out or up as shown. The termination pipe must be sized as listed in table 15. The specified pipe size ensures proper velocity required to move the exhaust gases away from the building.
2. On field supplied terminations for side wall exit, exhaust piping may extend a maximum of 12 inches (305mm) for 2" PVC and 20 inches (508mm) for 3" PVC beyond the outside wall.

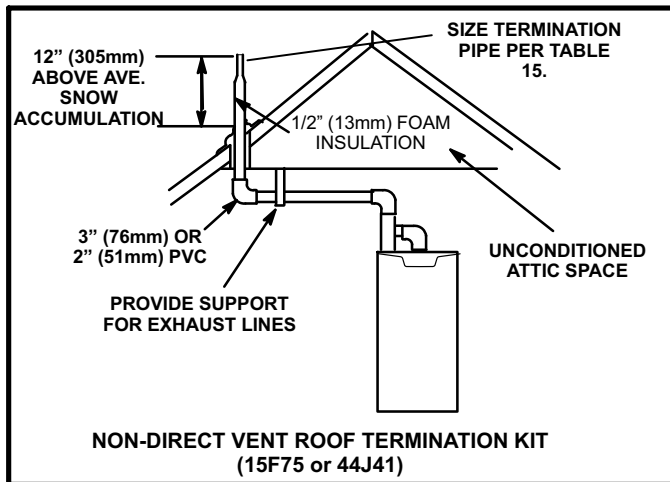


FIGURE 43

3. If exhaust piping must be run up a side wall to position above snow accumulation or other obstructions, piping must be supported every 24 inches (610mm). When exhaust piping must be run up an outside wall, any reduction in exhaust pipe size must be done after the final elbow.
4. Distance between exhaust pipe terminations on multiple furnaces must meet local codes.

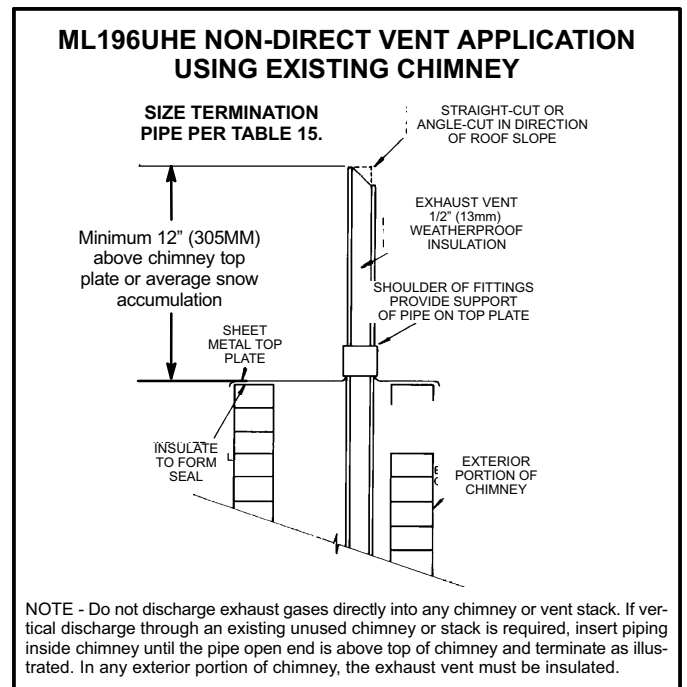


FIGURE 44

## Condensate Piping

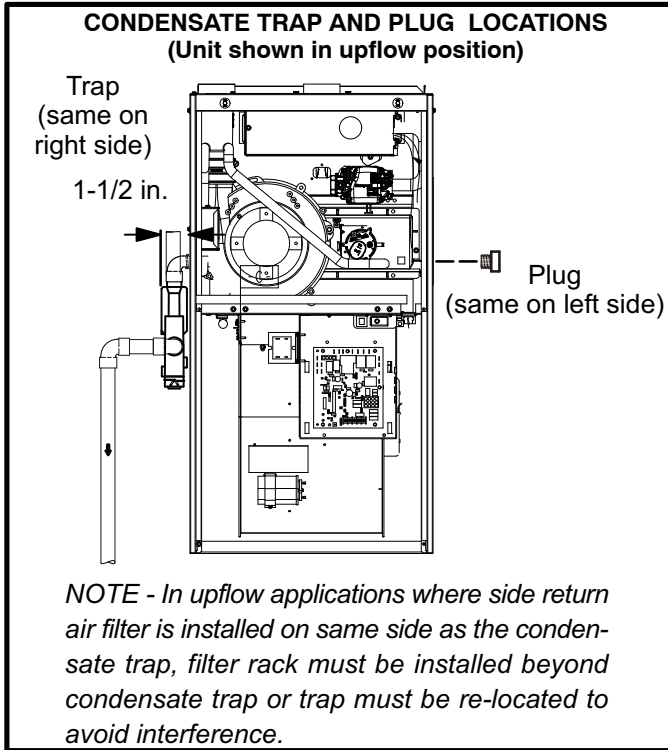
This unit is designed for either right- or left-side exit of condensate piping in upflow applications. In horizontal applications, the condensate trap must extend below the unit. An 8" service clearance is required for the condensate trap. Refer to figures 45 and 47 for condensate trap locations. Figure 53 shows trap assembly.

**NOTE** - If necessary the condensate trap may be installed up to 5' away from the furnace. Use PVC pipe to connect trap to furnace condensate outlet. Piping from furnace must slope down a minimum of 1/4" per ft. toward trap.

- 1 - Determine which side condensate piping will exit the unit, location of trap, field-provided fittings and length of PVC pipe required to reach available drain.
- 2 - For furnaces with a 1/2" drain connection use a 3/8 allen wrench and remove plug (figure 45) from the cold end header box at the appropriate location on the side of the unit. Install field-provided 1/2 NPT male fitting into cold end header box. For furnaces with a 3/4" drain connection use a large flat head screw driver or a 1/2" drive socket extension and remove plug. Install provided 3/4 NPT street elbow fitting into cold end header box. Use Teflon tape or appropriate pipe dope.

**NOTE** - Cold end header box drain plugs are factory installed. Check the unused plug for tightness to prevent leakage.

- 3 - Install the cap over the clean out opening at the base of the trap. Secure with clamp. See figure 53.
- 4 - Install drain trap using appropriate PVC fittings, glue all joints. Glue the provided drain trap as shown in figure 53. Route the condensate line to an open drain. Condensate line must maintain a 1/4" downward slope from the furnace to the drain.



**FIGURE 45**

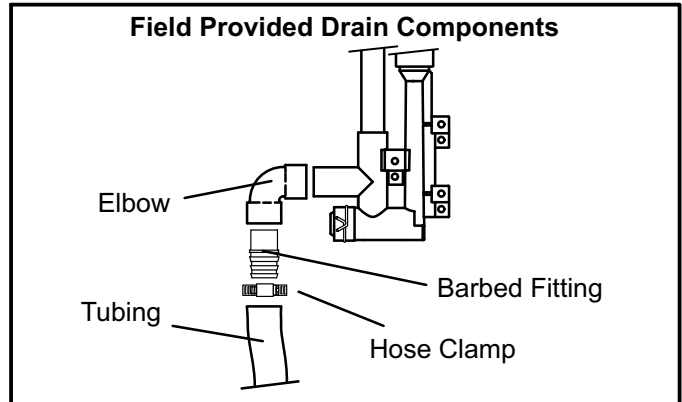
- 5 - Figures 48 and 50 show the furnace and evaporator coil using a separate drain. If necessary the condensate line from the furnace and evaporator coil can drain together. See figures 49, 51 and 52.

**Upflow furnace (figure 51)** - In upflow furnace applications the field provided vent must be a minimum 1" to a maximum 2" length above the condensate drain outlet connection. Any length above 2" may result in a flooded heat exchanger if the combined primary drain line were to become restricted.

**Horizontal furnace (figure 52)** - In horizontal furnace applications the field provided vent must be a minimum 4" to a maximum 5" length above the condensate drain outlet connection. Any length above 5" may result in a flooded heat exchanger if the combined primary drain line were to become restricted.

**NOTE** - In horizontal applications it is recommended to install a secondary drain pan underneath the unit and trap assembly.

**NOTE** - Appropriately sized tubing and barbed fitting may be used for condensate drain. Attach to the drain on the trap using a hose clamp. See figure 46.



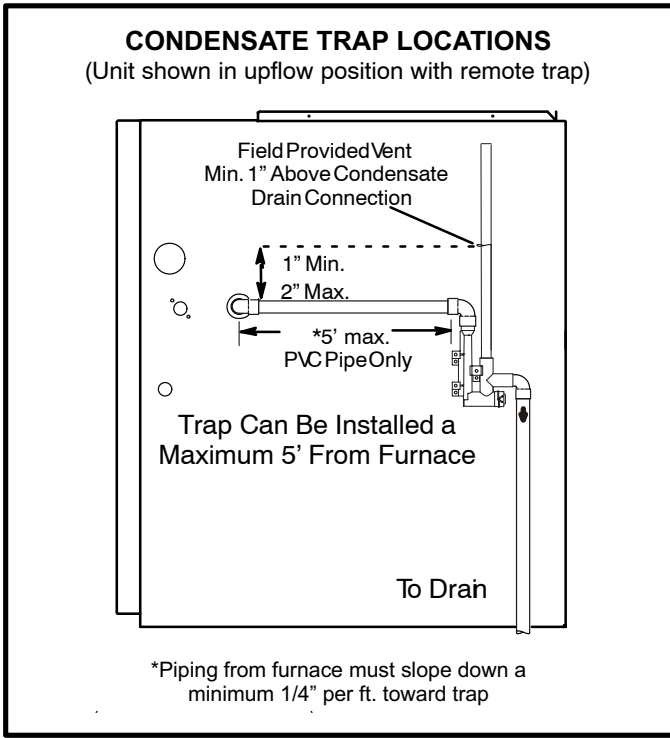
**FIGURE 46**

**⚠ CAUTION**

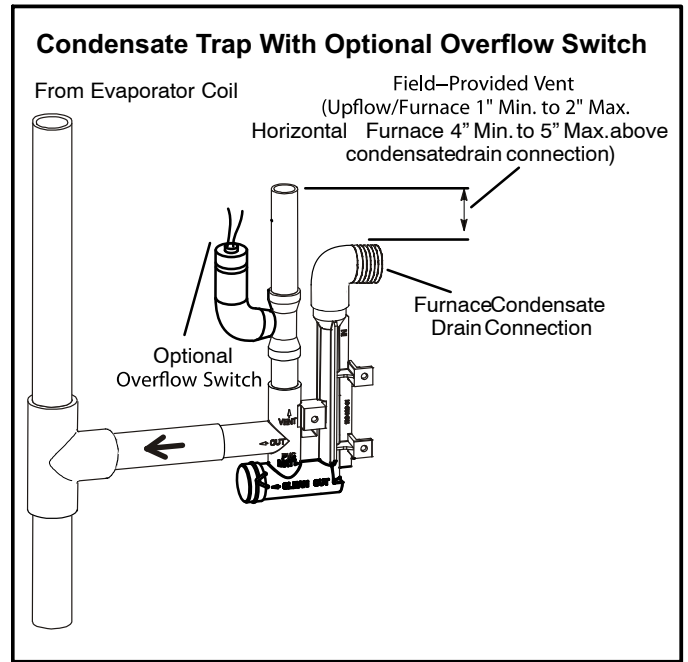
**Do not use copper tubing or existing copper condensate lines for drain line.**

- 6 - If unit will be started immediately upon completion of installation, prime trap per procedure outlined in Unit Start-Up section.

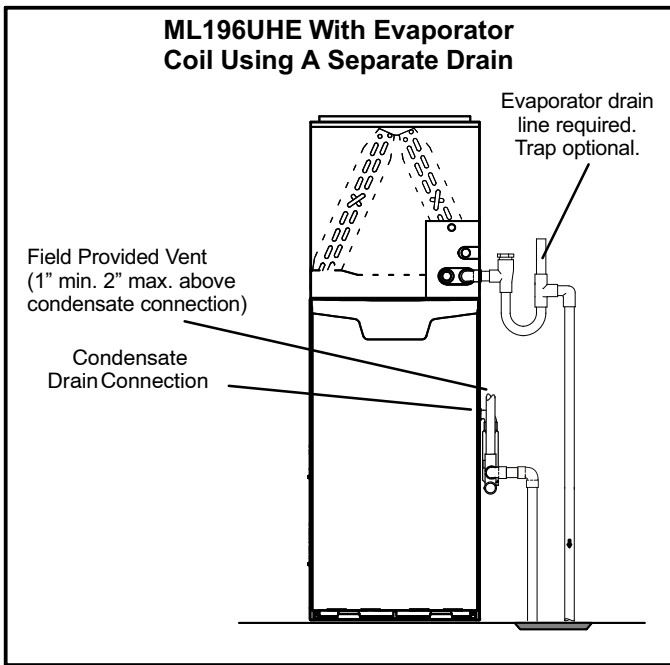
Condensate line must slope downward away from the trap to drain. If drain level is above condensate trap, condensate pump must be used. Condensate drain line should be routed within the conditioned space to avoid freezing of condensate and blockage of drain line. If this is not possible, a heat cable kit may be used on the condensate trap and line. Heating cable kit is available from Lennox in various lengths; 6 ft. (1.8m) - kit no. 26K68 and 24 ft. (7.3m) - kit no. 26K69.



**FIGURE 47**



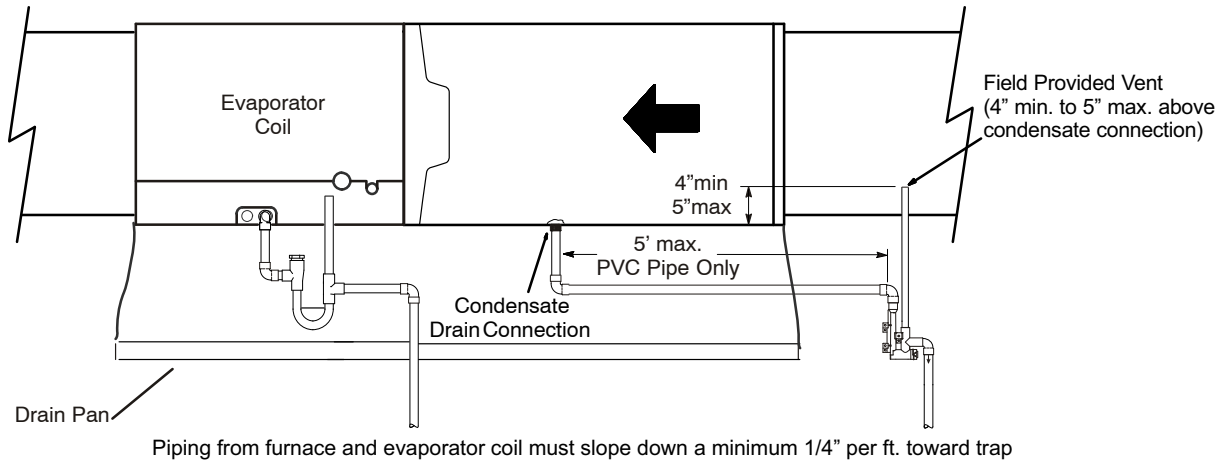
**FIGURE 49**



**FIGURE 48**

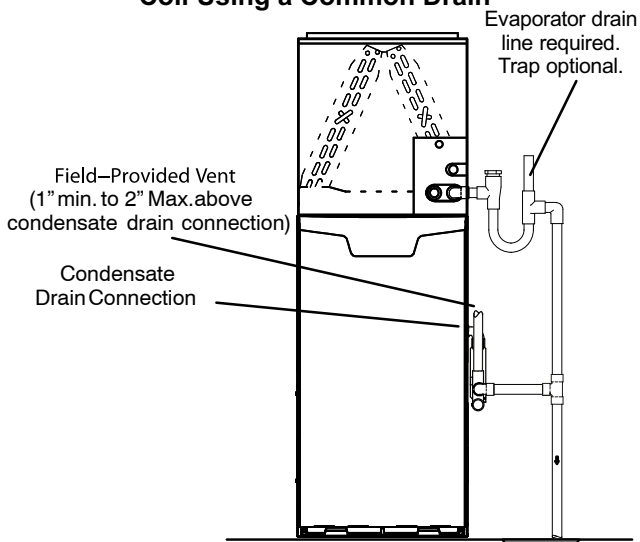


**ML196UHE with Evaporator Coil Using a Separate Drain**  
(Unit shown in horizontal left-hand discharge position)



**FIGURE 50**

**ML196UHE with Evaporator Coil Using a Common Drain**

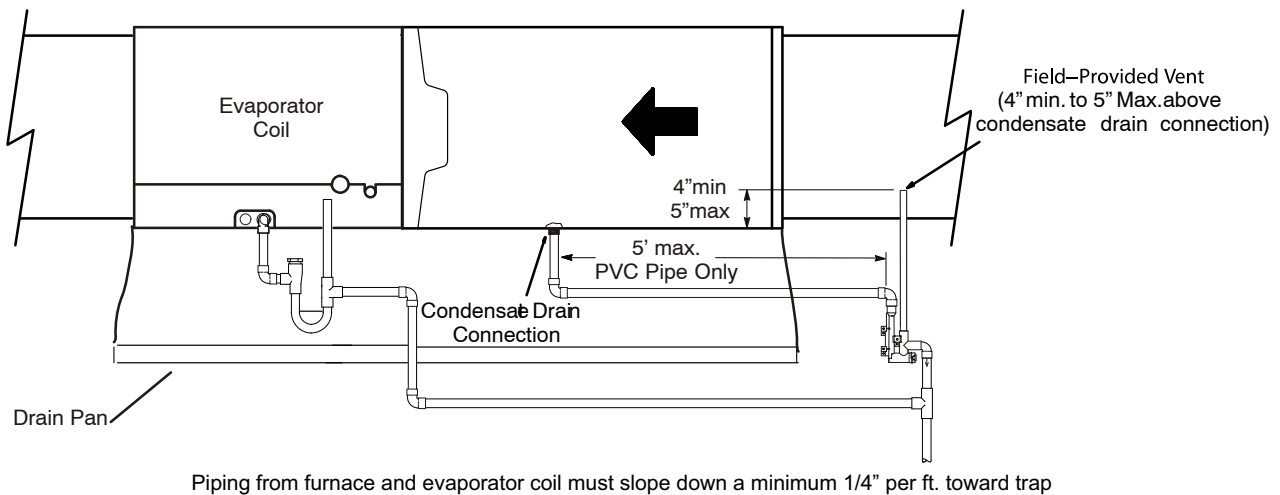


**FIGURE 51**

**! IMPORTANT**

**When combining the furnace and evaporator coil drains together, the A/C condensate drain outlet must be vented to relieve pressure in order for the furnace pressure switch to operate properly.**

**ML196UHE with Evaporator Coil Using a Common Drain**  
(Unit shown in horizontal left-hand discharge position)

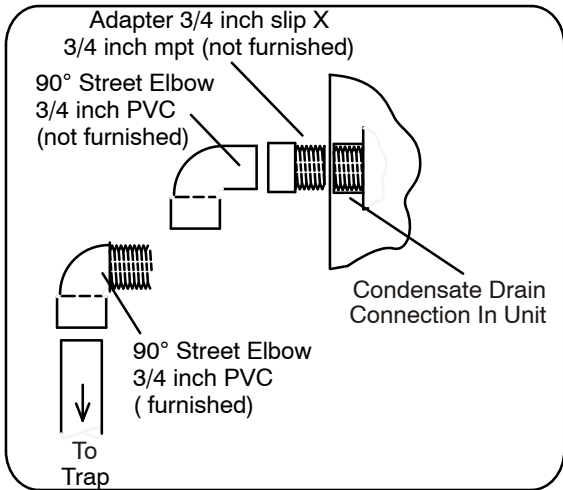


**FIGURE 52**

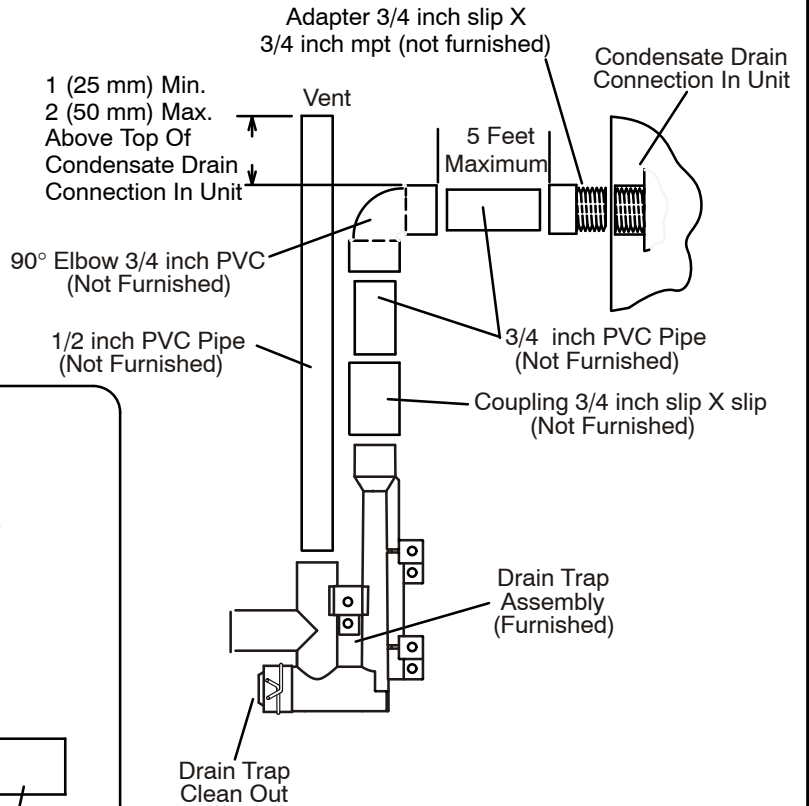
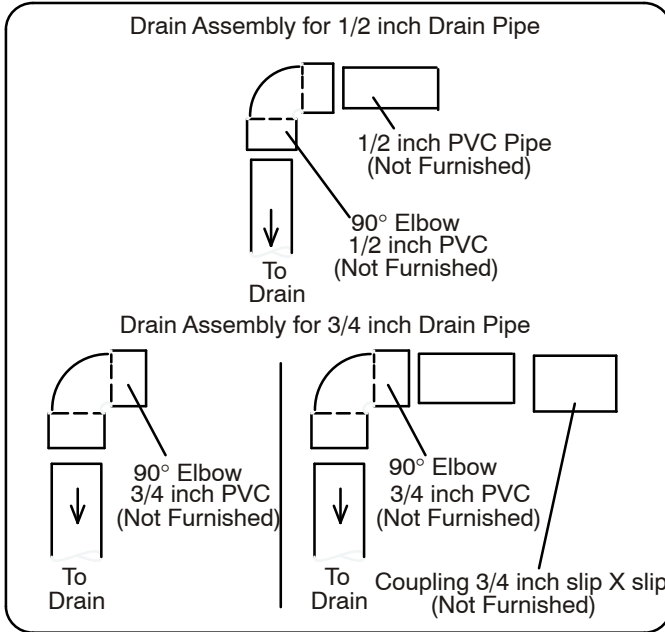


**TRAP / DRAIN ASSEMBLY USING 1/2" PVC OR 3/4" PVC**

Optional Condensate Drain Connection

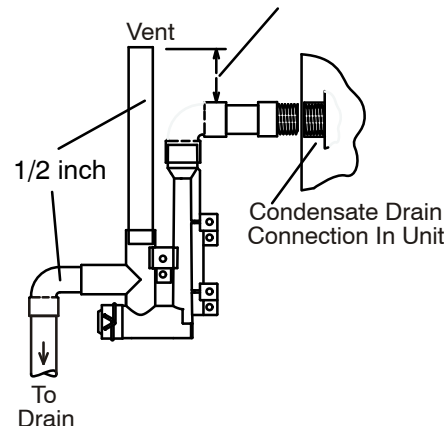


Optional Drain Piping From Trap



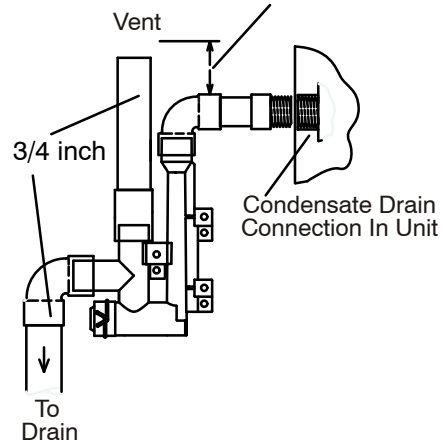
Drain Trap Assembly with 1/2 inch Piping

1 (25 mm) Min. 2 (50 mm) Max. Above Top Of Condensate Drain Connection In Unit

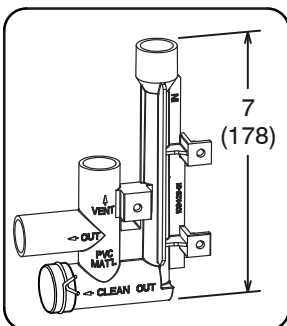


Drain Trap Assembly with 3/4 inch Piping

1 (25 mm) Min. 2 (50 mm) Max. Above Top Of Condensate Drain Connection In Unit



Drain Trap Assembly (Furnished)



**FIGURE 53**

### III-START-UP

#### A-Preliminary and Seasonal Checks

- 1 - Inspect electrical wiring, both field and factory installed for loose connections. Tighten as required.
- 2 - Check voltage at disconnect switch. Voltage must be within range listed on the nameplate. If not, consult the power company and have voltage condition corrected before starting unit.
- 3 - Inspect condition of condensate traps and drain assembly. Disassemble and clean seasonally.

#### B-Heating Start-Up

**BEFORE LIGHTING** the unit, smell all around the furnace area for gas. Be sure to smell next to the floor because some gas is heavier than air and will settle on the floor.

The gas valve on the ML196UHE is equipped with a gas control switch. Use only your hand to move the switch. Never use tools. If the the switch will not move by hand, replace the valve. Do not try to repair it. Force or attempted repair may result in a fire or explosion.

#### Placing the furnace into operation:

ML196UHE units are equipped with a SureLight ignition system. Do not attempt to manually light burners on this furnace. Each time the thermostat calls for heat, the burners will automatically light. The ignitor does not get hot when there is no call for heat on units with SureLight™ ignition system.

#### Priming Condensate Trap

The condensate trap should be primed with water prior to start-up to ensure proper condensate drainage. Either pour 10 fl. oz. (300 ml) of water into the trap, or follow these steps to prime the trap:

- 1 - Follow the lighting instructions to place the unit into operation.
- 2 - Set the thermostat to initiate a heating demand.
- 3 - Allow the burners to fire for approximately 3 minutes.
- 4 - Adjust the thermostat to deactivate the heating demand.
- 5 - Wait for the combustion air inducer to stop. Set the thermostat to initiate a heating demand and again allow the burners to fire for approximately 3 minutes.
- 6 - Adjust the thermostat to deactivate the heating demand and again wait for the combustion air inducer to stop. At this point, the trap should be primed with sufficient water to ensure proper condensate drain operation.

## ⚠ WARNING

**If you do not follow these instructions exactly, a fire or explosion may result causing property damage, personal injury or death.**

#### Gas Valve Operation (Figure 54)

- 1 - **STOP!** Read the safety information at the beginning of this section.

- 2 - Set the thermostat to the lowest setting.
- 3 - Turn off all electrical power to the unit.
- 4 - This furnace is equipped with an ignition device which automatically lights the burners. Do **not** try to light the burners by hand.
- 5 - Remove the access panel.
- 6 - Move gas valve switch to **OFF**. See figure 54.
- 7 - Wait five minutes to clear out any gas. If you then smell gas, **STOP!** Immediately call your gas supplier from a neighbor's phone. Follow the gas supplier's instructions. If you do not smell gas go to next step.
- 8 - Move gas valve switch to **ON**. See figure 54.

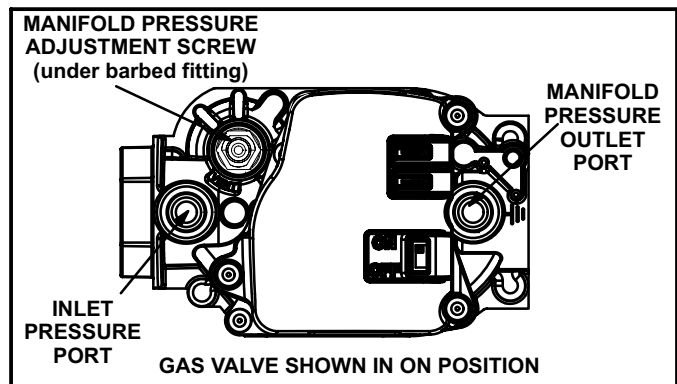


FIGURE 54

- 9 - Replace the access panel.
  - 10 - Turn on all electrical power to to the unit.
  - 11 - Set the thermostat to desired setting.
- NOTE** - When unit is initially started, steps 1 through 11 may need to be repeated to purge air from gas line.
- 12 - If the appliance will not operate, follow the instructions "Turning Off Gas to Unit" and call your service technician or gas supplier.

#### Turning Off Gas to Unit

- 1 - Set the thermostat to the lowest setting.
- 2 - Turn off all electrical power to the unit if service is to be performed.
- 3 - Remove the access panel.
- 4 - Move gas valve switch to **OFF**.
- 5 - Replace the access panel.

#### Failure To Operate

If the unit fails to operate, check the following:

- 1 - Is the thermostat calling for heat?
- 2 - Are access panels securely in place?
- 3 - Is the main disconnect switch closed?
- 4 - Is there a blown fuse or tripped breaker?
- 5 - Is the filter dirty or plugged? Dirty or plugged filters will cause the limit control to shut the unit off.
- 6 - Is gas turned on at the meter?
- 7 - Is the manual main shut-off valve open?
- 8 - Is the internal manual shut-off valve open?
- 9 - Is the unit ignition system in lockout? If the unit locks out again, inspect the unit for blockages.

## IV-HEATING SYSTEM SERVICE CHECKS

### A-C.S.A. Certification

All units are C.S.A. design certified without modifications. Refer to the ML196UHE Operation and Installation Instruction Manual Information.

### B-Gas Piping

## ⚠ CAUTION

If a flexible gas connector is required or allowed by the authority that has jurisdiction, black iron pipe shall be installed at the gas valve and extend outside the furnace cabinet. The flexible connector can then be added between the black iron pipe and the gas supply line.

## ⚠ WARNING

Do not over torque (800 in-lbs) or under torque (350 in-lbs) when attaching the gas piping to the gas valve.

Gas supply piping should not allow more than 0.5" W.C. drop in pressure between gas meter and unit. Supply gas pipe must not be smaller than unit gas connection.

Compounds used on gas piping threaded joints should be resistant to action of liquefied petroleum gases.

### C-Testing Gas Piping

## ⚠ IMPORTANT

In case emergency shutdown is required, turn off the main shut-off valve and disconnect the main power to unit. These controls should be properly labeled by the installer.

When pressure testing gas lines, the gas valve must be disconnected and isolated. Gas valves can be damaged if subjected to more than 0.5 psig (14" W.C.). See figure 55.

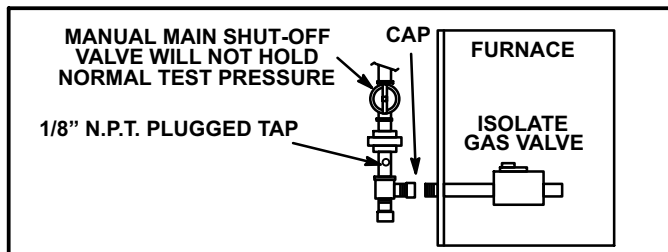


FIGURE 55

When checking piping connections for gas leaks, use preferred means. Kitchen detergents can cause harmful corrosion on various metals used in gas piping. Use of a specialty Gas Leak Detector is strongly recommended. It is available through Lennox under part number 31B2001. See Corp. 8411-L10, for further details.

## ⚠ WARNING

Do not use matches, candles, flame or any other source of ignition to check for gas leaks.

## D-Testing Gas Supply Pressure

### Gas Flow (Approximate)

TABLE 16

ML196 Unit	GAS METER CLOCKING CHART			
	Seconds for One Revolution			
	Natural		LP	
	1 cu ft Dial	2 cu ft Dial	1 cu ft Dial	2 cu ft DIAL
-030	120	240	300	600
-045	80	160	200	400
-070	55	110	136	272
-090	41	82	102	204
-110	33	66	82	164
-135	27	54	68	136
Natural-1000 btu/cu ft		LP-2500 btu/cu ft		

Furnace should operate at least 5 minutes before checking gas flow. Determine time in seconds for **two** revolutions of gas through the meter. (Two revolutions assures a more accurate time.) **Divide by two** and compare to time in table 16. If manifold pressure matches table NO TAG and rate is incorrect, check gas orifices for proper size and restriction. Remove temporary gas meter if installed.

**NOTE** - To obtain accurate reading, shut off all other gas appliances connected to meter.

### Supply Pressure Measurement

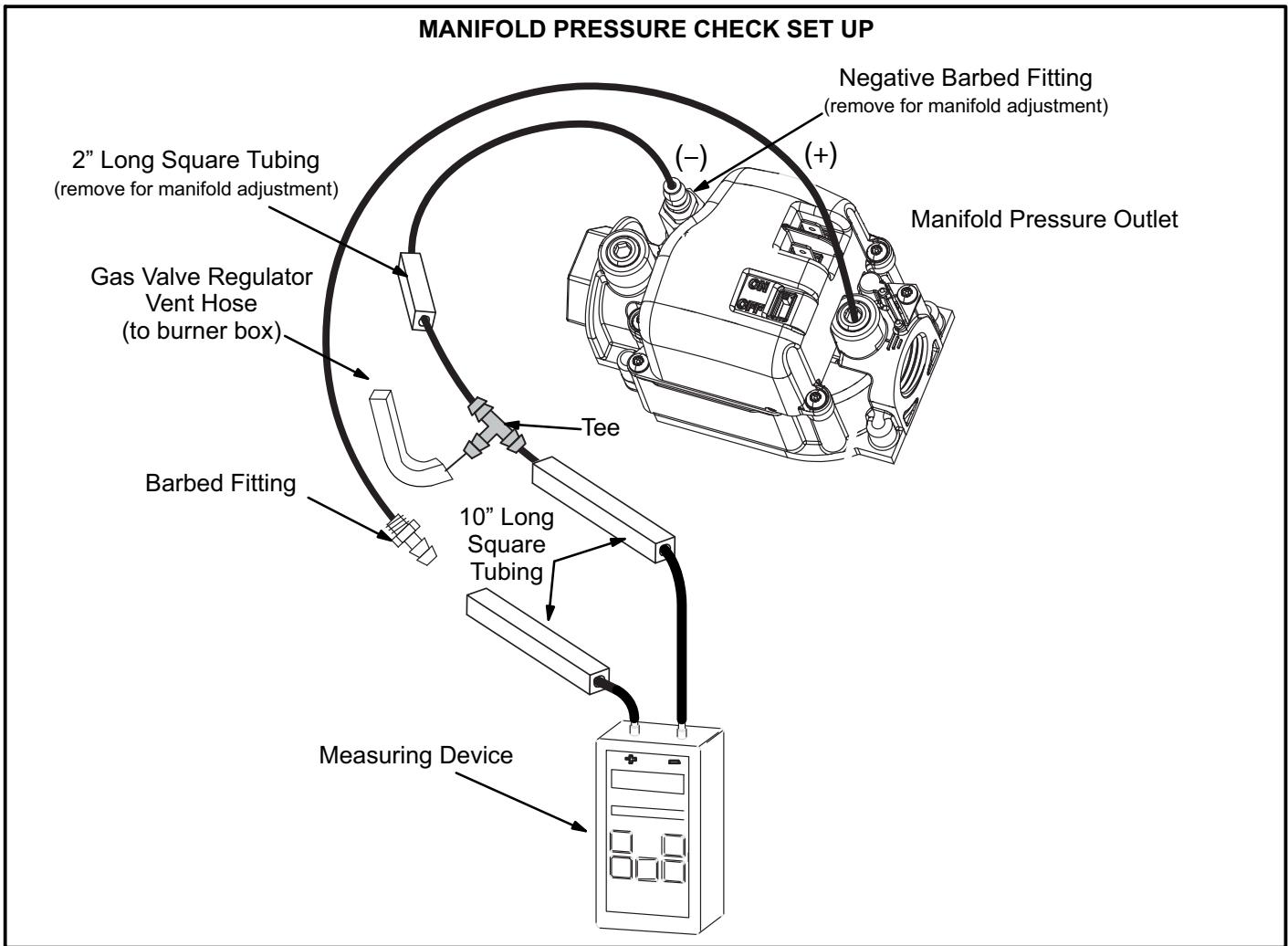
When testing supply gas pressure, use the 1/8" N.P.T. plugged tap located on the gas valve to facilitate test gauge connection. See figure 7. Check gas line pressure with unit firing at maximum rate. Low pressure may result in erratic operation or underfire. High pressure can result in permanent damage to gas valve or overfire.

On multiple unit installations, each unit should be checked separately, with and without other units operating. Supply pressure must fall within range listed in table 18.

### Manifold Pressure Measurement

Follow the steps below and use figure 56 as a reference. Gas manifold Kit 10L34 provides additional components if needed.

- 1 - Connect the test gauge positive side "+" to manifold pressure tap on gas valve.
- 2 - Tee into the gas valve regulator vent hose and connect to test gauge negative "-".
- 3 - Start unit and let run for 5 minutes to allow for steady state conditions.
- 4 - After allowing unit to stabilize for 5 minutes, record manifold pressure and compare to value given in table 18.
- 5 - Shut unit off and remove manometer as soon as an accurate reading has been obtained. Take care to remove barbed fitting and replace threaded plug.
- 6 - Start unit and perform leak check. Seal leaks if found.



**FIGURE 56**

**E-Proper Combustion**

Furnace should operate minimum 15 minutes with correct manifold pressure and gas flow rate before checking combustion. Take combustion sample beyond the flue outlet and compare to the tables below.

**TABLE 17**

Unit	CO <sub>2</sub> % For Nat	CO <sub>2</sub> % For LP
All	7.5 - 8.5	8.2 - 9.5

The maximum carbon monoxide reading should not exceed 100 ppm.

**F-High Altitude**

**NOTE** - In Canada, certification for installations at elevations over 4500 feet (1372 m) is the jurisdiction of local authorities.

Some units installed at altitude of 4501 - 10,000 feet (1373 to 3048 m) may require a pressure switch change which can be ordered separately and a manifold de-rate. See table 18 for manifold pressures at all altitudes. Table 19 lists conversion kit and pressure switch requirements at varying altitudes.

The combustion air pressure switch is factory-set and requires no adjustment.

**TABLE 18**  
**Manifold and Supply Line Pressure 0-10,000ft.**

ML196 Unit	Gas	Manifold Pressure in. w.g.					Supply Line Pressure in. w.g. 0 - 10000 ft.	
		0-4500 ft.	4501-5500 ft.	5501-6500 ft.	6501 - 7500ft.	7501 - 10000ft.		
All Sizes	Natural	3.5	3.3	3.2	3.1	3.5	4.5	13.0
	LP/propane	10.0	9.4	9.1	8.9	10.0	11.0	13.0

NOTE - A natural to L.P. propane gas changeover kit is necessary to convert this unit. Refer to the changeover kit installation instruction for the conversion procedure.

**TABLE 19**  
**LP/Propane Conversion Kit and Pressure Switch Requirements at Varying Altitudes**

ML196 Unit	Natural to LP/Propane	High Altitude Natural Burner Orifice Kit	High Altitude LP/Propane Burner Orifice Kit	High Altitude Pressure Switch	
	0 - 7500 ft (0 - 2286m)	7501 - 10,000 ft (2286 - 3038m)	7501 - 10,000 ft (2286 - 3038m)	4501 - 7500 ft (1373 - 2286m)	7501 - 10,000 ft (2286 - 3048m)
-030	17H63	14C90	17H66	No Change	11U65
-045	*11K49	73W37	*11K44	No Change	11U65
-070				17V95	11U67
-090				11U70	11U64
-110				11U71	11U64
-135				11U71	11U68

Pressure switch is factory set. No adjustment necessary. All models use the factory-installed pressure switch from 0-4500 feet (0-1370 m).

## G- Proper Ground and Voltage

### **⚠ WARNING**



**Electric Shock Hazard. Can cause injury or death. Unit must be properly grounded in accordance with national and local codes.**

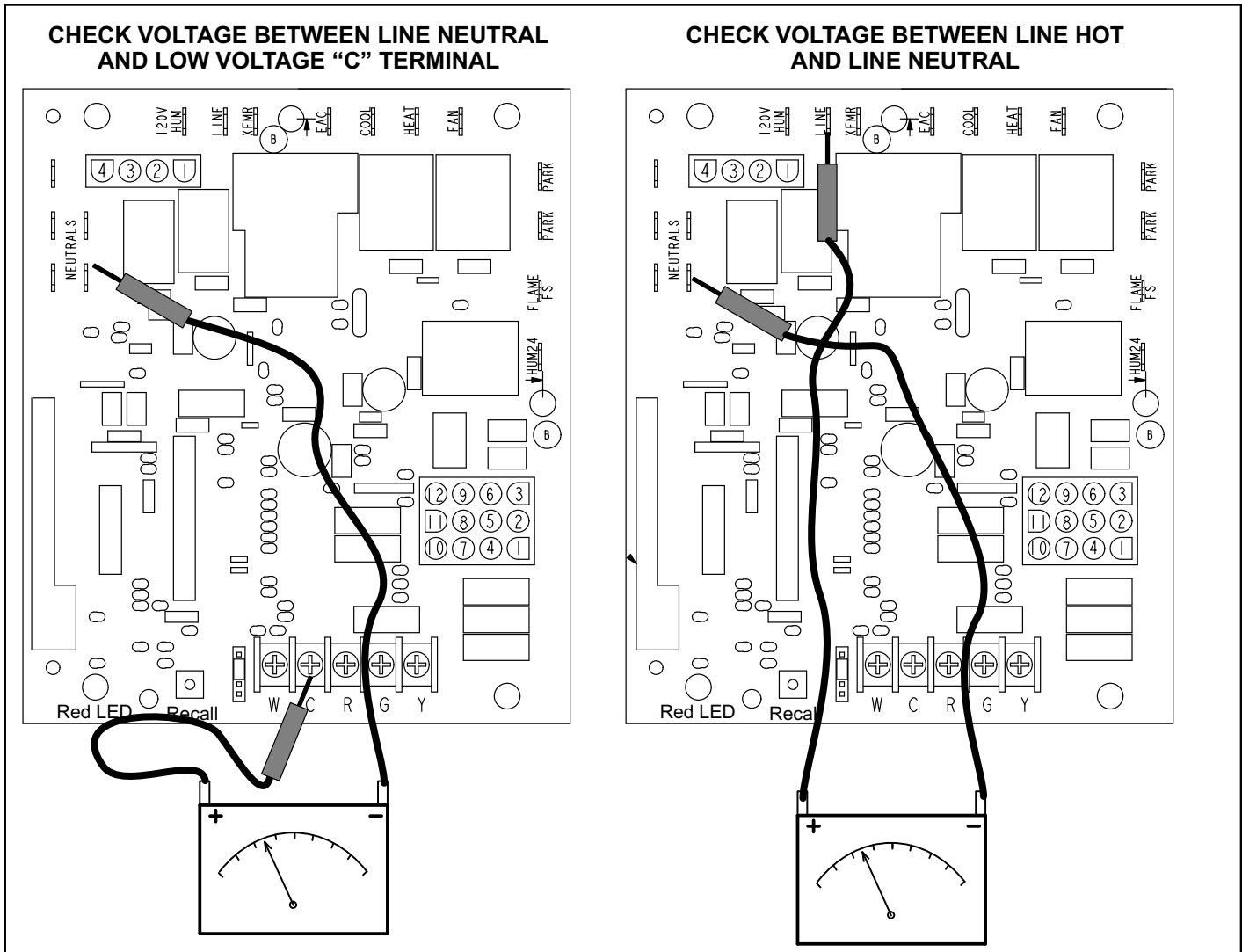
A poorly grounded furnace can contribute to premature ignitor failure. Use the following procedure to check for ground and voltage to the integrated control.

- 1 - Measure the AC voltage between Line Neutral (spade terminals) and "C" terminal (low voltage terminal block) on the integrated control. See figure 57. A wide variation in the voltage between Line Neutral and "C" as a function of load indicates a poor or partial ground. Compare the readings to the table below. If the readings exceed the maximum shown in table 1, make repairs before operating the furnace.

- 2 - In addition, measure the AC voltage from Line Hot to Line Neutral (spade terminals) on the integrated control. See figure 57. This voltage should be in the range of 97 to 132 Vac

**TABLE 20**

Furnace Status	Measurement VAC	
	Expected	Maximum
Power On Furnace Idle	0.3	2
CAI / Ignitor Energized	0.75	5
Indoor Blower Energized	Less than 2	10



**FIGURE 57**

## V-TYPICAL OPERATING CHARACTERISTICS

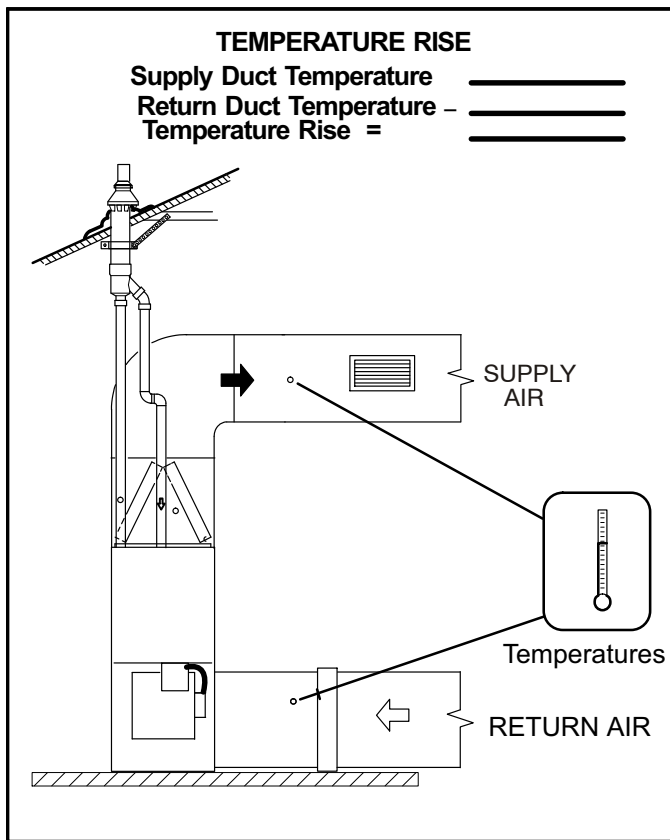
### A-Blower Operation and Adjustment<sup>1</sup>

*NOTE- The following is a generalized procedure and does not apply to all thermostat controls.*

- 1 - Blower operation is dependent on thermostat control system.
- 2 - Generally, blower operation is set at thermostat sub-base fan switch. With fan switch in ON position, blower operates continuously. With fan switch in AUTO position, blower cycles with demand or runs continuously while heating or cooling circuit cycles.
- 3 - Depending on the type of indoor thermostat, blower and entire unit will be off when the system switch is in OFF position.

### B-Temperature Rise (Figure 58)

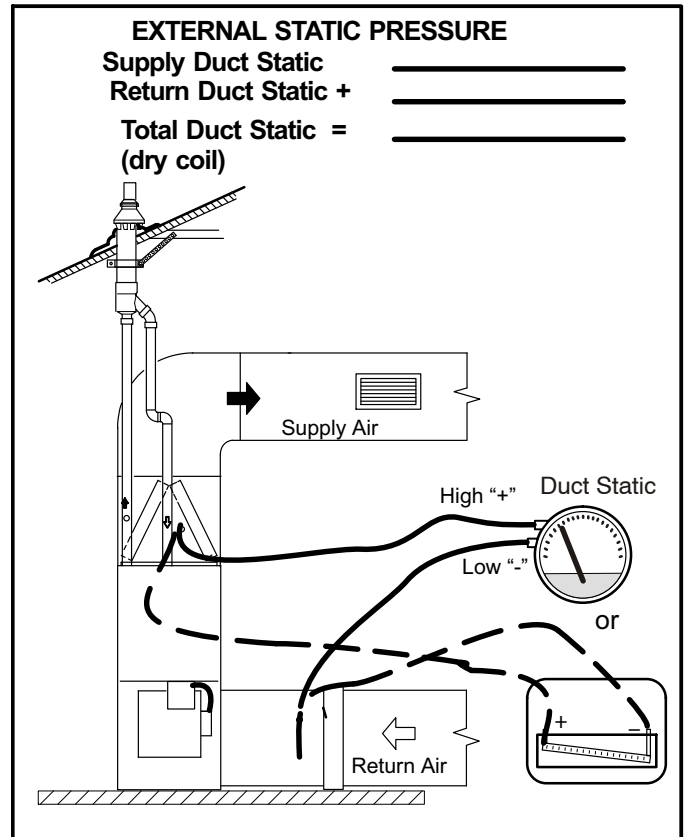
Temperature rise for ML196UHE units depends on unit input, blower speed, blower horsepower and static pressure as marked on the unit rating plate. The blower speed must be set for unit operation within the range of "TEMP. RISE °F" listed on the unit rating plate.



**FIGURE 58**

### C-External Static Pressure

- 1 - Tap locations shown in figure 59.
- 2 - Punch a 1/4" diameter hole in supply and return air plenums. Insert manometer hose flush with inside edge of hole or insulation. Seal around the hose with permagum. Connect the zero end of the manometer to the discharge (supply) side of the system. On ducted systems, connect the other end of manometer to the return duct as above.
- 3 - With only the blower motor running and the evaporator coil dry, observe the manometer reading. Adjust blower motor speed to deliver the air desired according to the job requirements. For heating speed external static pressure drop must not be more than 0.5" W.C. For cooling speed external static pressure drop must not be more than 0.8" W.C.
- 4 - Seal the hole when the check is complete.



**FIGURE 60**

### D-Blower Speed Taps

Blower speed tap changes are made on the integrated control. See figure 3 or 57. The heating tap is connected to the "HEAT" terminal and the cooling tap is connected to the "COOL" terminal. On all units the continuous blower tap is connected to the "FAN" terminal. Unused taps must be secured on two dummy terminals labeled "PARK". To change out existing speed tap, turn off power and switch out speed tap with tap connected to "PARK". See blower speed tap table on unit diagram for motor tap colors for each speed.

## VI-MAINTENANCE

### **⚠ WARNING**

**ELECTRICAL SHOCK, FIRE,  
OR EXPLOSION HAZARD.**

Failure to follow safety warnings exactly could result in dangerous operation, serious injury, death or property damage.

Improper servicing could result in dangerous operation, serious injury, death, or property damage. Before servicing, disconnect all electrical power to furnace.

When servicing controls, label all wires prior to disconnecting. Take care to reconnect wires correctly. Verify proper operation after servicing.

At the beginning of each heating season, system should be checked as follows by a qualified service technician:

#### Blower

Check the blower wheel for debris and clean if necessary. The blower motors are prelubricated for extended bearing life. No further lubrication is needed.

### **⚠ WARNING**

The blower access panel must be securely in place when the blower and burners are operating. Gas fumes, which could contain carbon monoxide, can be drawn into living space resulting in personal injury or death.

#### Filters

All air filters are installed external to the unit. Filters should be inspected monthly. Clean or replace the filters when necessary to ensure proper furnace operation. Table 21 lists recommended filter sizes.

### **⚠ IMPORTANT**

If a high-efficiency filter is being installed as part of this system to ensure better indoor air quality, the filter must be properly sized. High-efficiency filters have a higher static pressure drop than standard-efficiency glass/foam filters. If the pressure drop is too great, system capacity and performance may be reduced. The pressure drop may also cause the limit to trip more frequently during the winter and the indoor coil to freeze in the summer, resulting in an increase in the number of service calls.

Before using any filter with this system, check the specifications provided by the filter manufacturer against the data given in the appropriate Lennox Product Specifications bulletin. Additional information is provided in Service and Application Note ACC-00-2 (August 2000).

TABLE 21

Furnace Cabinet Width	Filter Size	
	Side Return	Bottom Return
17-1/2"	16 X 25 X 1 (1)	16 X 25 X 1 (1)
21"	16 X 25 X 1 (1)	20 X 25 X 1 (1)
24-1/2"	16 X 25 X 1 (2)	24 X 25 X 1 (1)

#### Exhaust and air intake pipes

Check the exhaust and air intake pipes and all connections for tightness and to make sure there is no blockage.

**NOTE** - After any heavy snow, ice or frozen fog event the furnace vent pipes may become restricted. Always check the vent system and remove any snow or ice that may be obstructing the plastic intake or exhaust pipes.

#### Electrical

### **⚠ WARNING**

**Fire Hazard. Use of aluminum wire with this product may result in a fire, causing property damage, severe injury or death. Use copper wire only with this product.**

### **⚠ CAUTION**

**Failure to use properly sized wiring and circuit breaker may result in property damage. Size wiring and circuit breaker(s) per Product Specifications bulletin (EHB) and unit rating plate.**

- 1 - Check all wiring for loose connections.
  - 2 - Check for the correct voltage at the furnace (furnace operating). Correct voltage is 120VAC  $\pm$  10%
  - 3 - Check amp-draw using a true RMS meter on the blower motor with blower access panel in place. See figure 61.
- Unit Nameplate \_\_\_\_\_ Actual \_\_\_\_\_

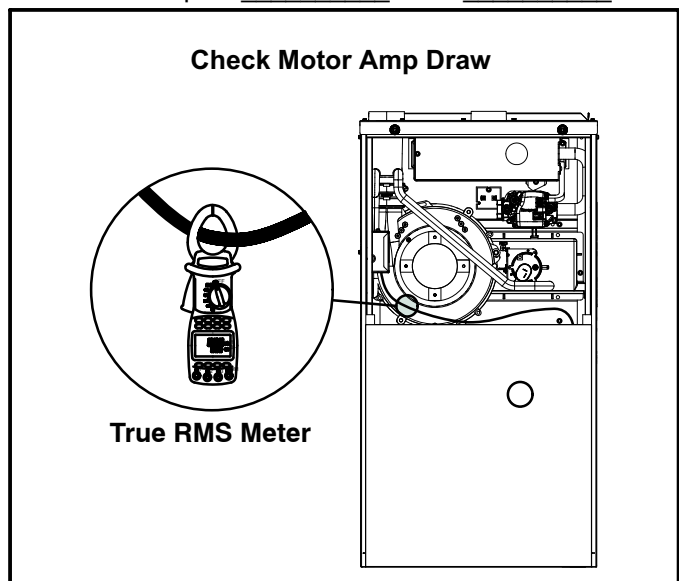


FIGURE 61



### Winterizing and Condensate Trap Care

- 1 - Turn off power to the furnace.
- 2 - Have a shallow pan ready to empty condensate water.
- 3 - Remove the clean out cap from the condensate trap and empty water. Inspect the trap then reinstall the clean out cap.

### Condensate Hose Screens (Figure 62)

Check the condensate hose screens for blockage and clean if necessary.

- 1 - Turn off power to the unit.
- 2 - Remove hoses from cold end header box. Twist and pull screens to remove.
- 3 - Inspect screens and rinse with tap water if needed.
- 4 - Reinstall screens, reconnect hoses and turn on power to unit.

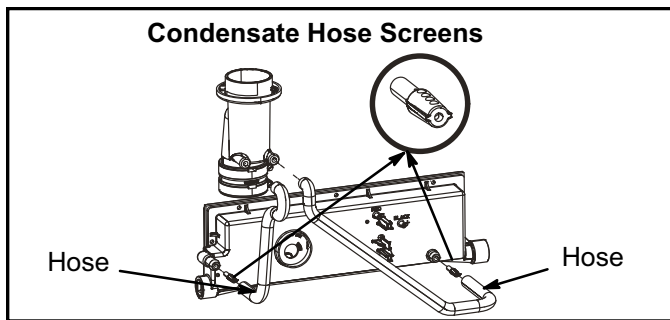


FIGURE 62

### Cleaning Heat Exchanger

If cleaning the heat exchanger becomes necessary, follow the below procedures and refer to figure 1 when disassembling unit. Use papers or protective covering in front of furnace while removing heat exchanger assembly.

- 1 - Turn off electrical and gas supplies to the furnace.
- 2 - Remove the furnace access panels.
- 3 - Disconnect the 2 wires from the gas valve.
- 4 - Remove gas supply line connected to gas valve. Remove the burner box cover (if equipped) and remove gas valve/manifold assembly.
- 5 - Remove sensor wire from sensor. Disconnect 2-pin plug from the ignitor.
- 6 - Disconnect wires from flame roll-out switches.
- 7 - Disconnect combustion air intake pipe. It may be necessary to cut the existing pipe to remove burner box assembly.
- 8 - Remove four burner box screws at the vestibule panel and remove burner box. Set burner box assembly aside.  
**NOTE** - If necessary, clean burners at this time. Follow procedures outlined in Burner Cleaning section.
- 9 - Loosen the clamps to the flexible exhaust coupling.
- 10 - Disconnect condensate drain line from the cold end header box.
- 11 - Disconnect condensate drain tubing from flue collar. Remove screws that secures the flue collar into place. Remove flue collar. It may be necessary to cut the exiting exhaust pipe for removal of the fitting.

- 12 - Mark and disconnect all combustion air pressure tubing from cold end header collector box.
- 13 - Mark and remove wires from pressure switch assembly. Remove the assembly. Keep tubing attached to pressure switches.
- 14 - Disconnect the plug from the combustion air inducer. Remove two screws which secure combustion air inducer to collector box. Remove combustion air inducer assembly. Remove ground wire from vest panel.
- 15 - Disconnect the condensate drain line.
- 16 - Remove cold end header box.
- 17 - Remove electrical junction box from the side of the furnace.
- 18 - Mark and disconnect any remaining wiring to heating compartment components. Disengage strain relief bushing and pull wiring and bushing through the hole in the blower deck.
- 19 - Remove the primary limit from the vestibule panel.
- 20 - Remove two screws from the front cabinet flange at the blower deck. Spread cabinet sides slightly to allow clearance for removal of heat exchanger.
- 21 - Remove screws along vestibule sides and bottom which secure vestibule panel and heat exchanger assembly to cabinet. Remove two screws from blower rail which secure bottom heat exchanger flange. Remove heat exchanger from furnace cabinet.
- 22 - Back wash heat exchanger with soapy water solution or steam. **If steam is used it must be below 275°F (135°C)** .
- 23 - Thoroughly rinse and drain the heat exchanger. Soap solutions can be corrosive. Take care to rinse entire assembly.
- 24 - Reinstall heat exchanger into cabinet making sure that the clamshells of the heat exchanger assembly is engaged properly into the support bracket on the blower deck. Remove the indoor blower to view this area through the blower opening.
- 25 - Re-secure the supporting screws along the vestibule sides and bottom to the cabinet.
- 26 - Reinstall cabinet screws on front flange at blower deck.
- 27 - Reinstall the primary limit on the vestibule panel.
- 28 - Route heating component wiring through hole in blower deck and reinsert strain relief bushing.
- 29 - Reinstall electrical junction box.
- 30 - Reinstall the cold end header box.
- 31 - Reinstall the combustion air inducer. Reconnect the plug to the wire harness.
- 32 - Reinstall pressure switches and reconnect pressure switch wiring.
- 33 - Carefully connect combustion air pressure switch tubing from pressure switches to proper ports on cold end header collector box.
- 34 - Reconnect condensate drain line to the cold end header box.

- 35 - Use securing screws to reinstall flue collar to the top cap on the furnace. Reconnect exhaust piping and exhaust drain tubing.
- 36 - Replace flexible exhaust adapter on combustion air inducer and flue collar. Secure using two existing hose clamps.
- 37 - Reinstall burner box assembly in vestibule area. Secure burner box assembly to vestibule panel using four existing screws. **Make sure burners line up in center of burner ports**
- 38 - Reconnect flame roll-out switch wires.
- 39 - Reconnect sensor wire and reconnect 2-pin plug from ignitor.
- 40 - Reinstall gas valve manifold assembly. Reconnect gas supply line to gas valve.
- 41 - Reconnect the combustion air intake pipe.
- 42 - Reinstall burner box cover.
- 43 - Reconnect wires to gas valve.
- 44 - Replace the blower compartment access panel.
- 45 - Reconnect gas supply piping. Turn on power and gas supply to unit.
- 46- Follow lighting instructions on unit nameplate to light and operate furnace for 5 minutes to ensure the furnace is operating properly.
- 47- Check all piping connections, factory and field, for gas leaks. Use a leak detecting solution or other preferred means.
- 48- Replace heating compartment access panel.

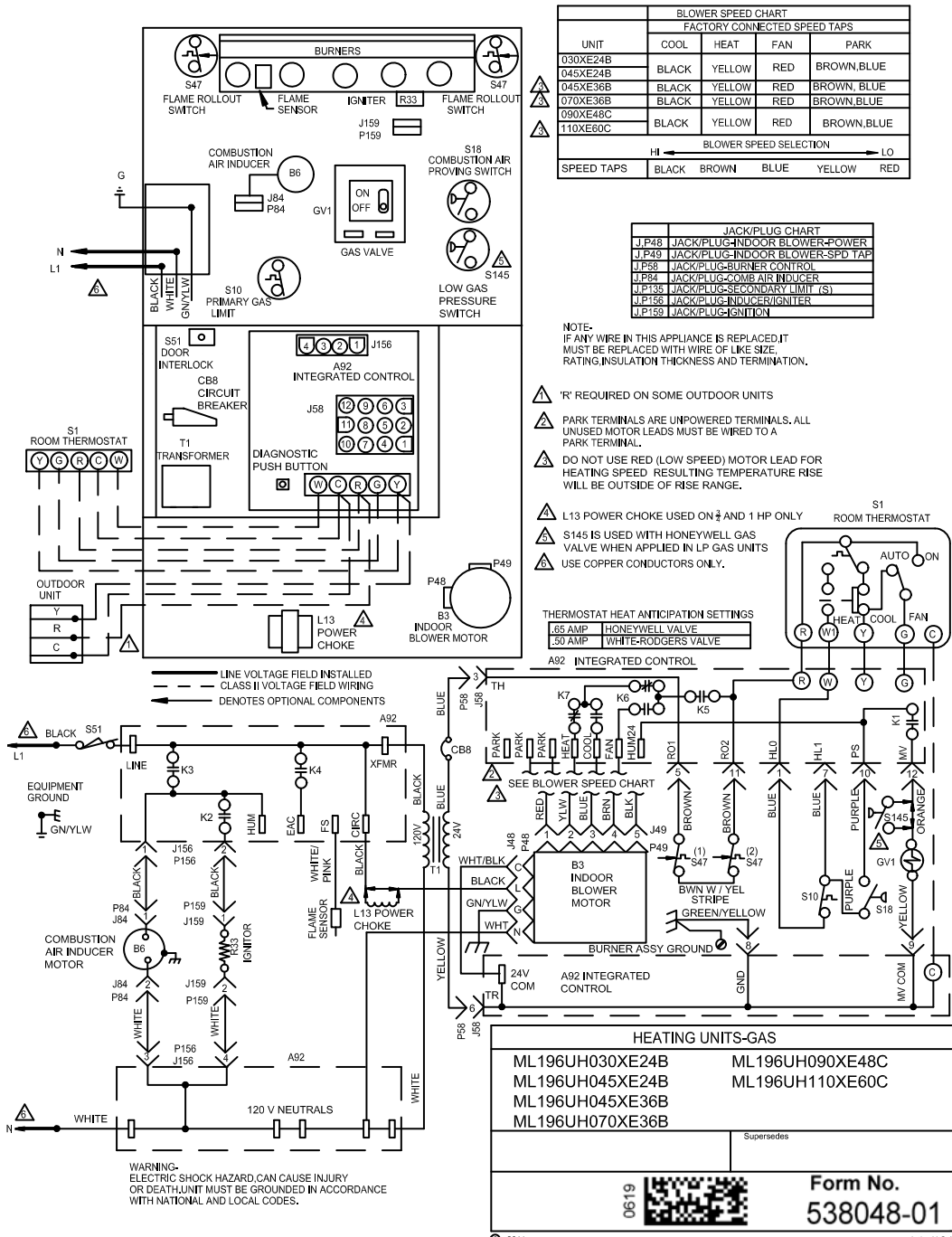
## CAUTION

**Some soaps used for leak detection are corrosive to certain metals. Carefully rinse piping thoroughly after leak test has been completed. Do not use matches, candles, flame or other sources of ignition to check for gas leaks.**

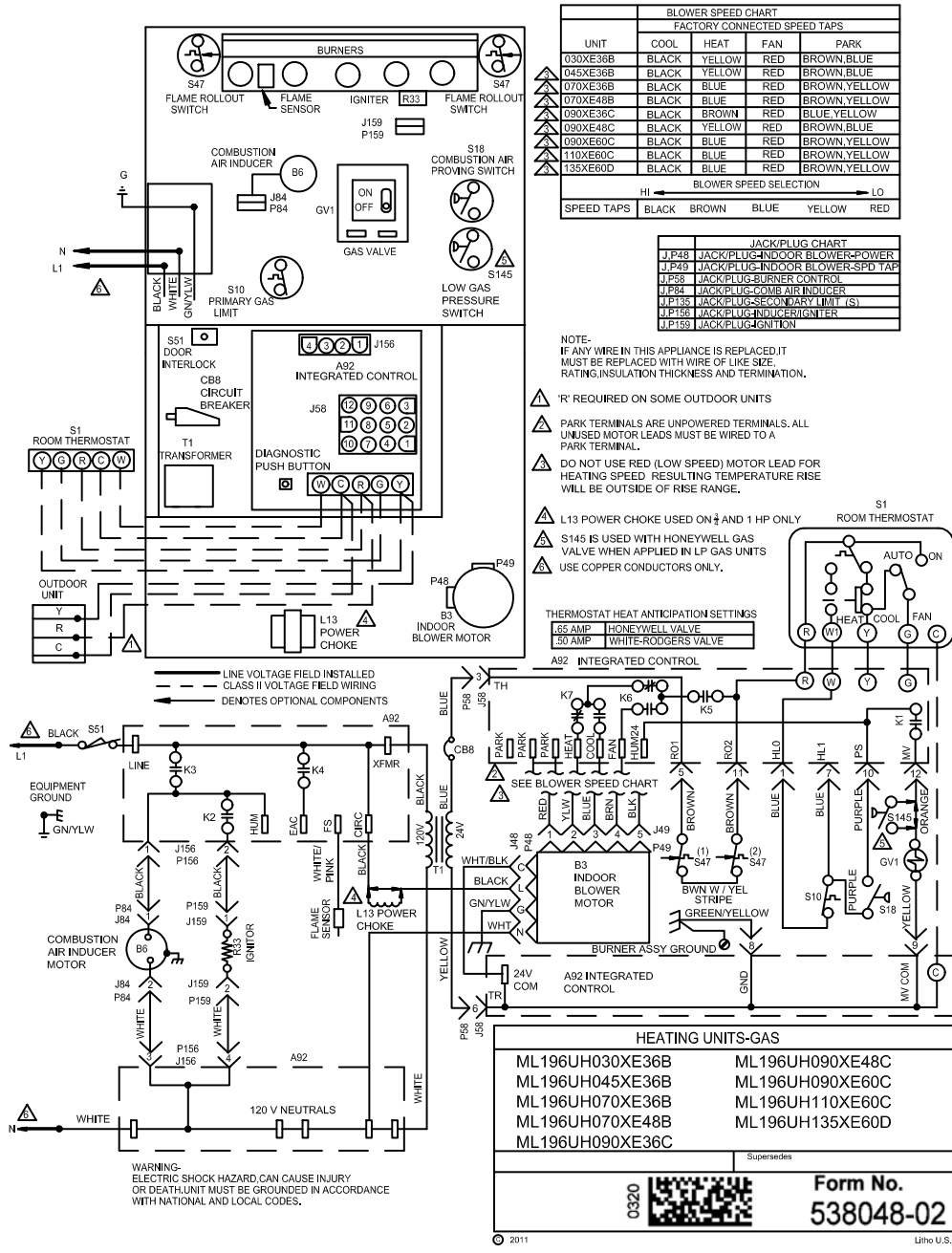
### **Cleaning the Burner Assembly (if needed)**

- 1 - Turn off electrical and gas power supplies to furnace. Remove upper and lower furnace access panels.
- 2 - Disconnect the wires from the gas valve.
- 3 - Remove the burner box cover (if equipped).
- 4 - Disconnect the gas supply line from the gas valve. Remove gas valve/manifold assembly.
- 5 - Mark and disconnect sensor wire from the sensor. Disconnect wires from flame rollout switches.
- 6 - Disconnect combustion air intake pipe. It may be necessary to cut the existing pipe to remove burner box assembly.
- 7 - Remove four screws which secure burner box assembly to vest panel. Remove burner box from the unit.
- 8 - Use the soft brush attachment on a vacuum cleaner to gently clean the face of the burners. Visually inspect the inside of the burners and crossovers for any blockage caused by foreign matter. Remove any blockage.
- 9 - Reinstall the burner box assembly using the existing four screws. Make sure that the burners line up in the center of the burner ports.
- 10 - Reconnect the sensor wire and reconnect the 2-pin plug to the ignitor wiring harness. Reconnect wires to flame rollout switches.
- 11 - Reinstall the gas valve manifold assembly. Reconnect the gas supply line to the gas valve. Reinstall the burner box cover.
- 12 - Reconnect wires to gas valve.
- 13 - Replace the blower compartment access panel.
- 14 - Refer to instruction on verifying gas and electrical connections when re-establishing supplies.
- 15 - Follow lighting instructions to light and operate furnace for 5 minutes to ensure that heat exchanger is clean and dry and that furnace is operating properly.
- 16 - Replace heating compartment access panel.

# VII-WIRING DIAGRAM AND SEQUENCE OF OPERATION



- Line voltage is applied to L1 and N. the T1 low voltage transformer is energized, and line voltage is applied to B3 indoor blower.
- S47 rollout switch(es) must be closed in order for 24V from transformer to be output on integrated control "R" to power thermostat.
- When there is a call for heat, W1 of the thermostat energizes W of the furnace control with 24VAC.
- A92 integrated control runs a self-check. S10 primary limit and S21 secondary limit contacts are found to be closed. Call for heat can continue.
- A92 integrated control energizes B6 combustion air inducer. S18 combustion air pressure switch closes. Once S18 closes, a 15-second pre-purge follows.
- A92 integrated control energizes R33 ignitor. A 20-second warm-up period begins.
- GV1 gas valve opens for a 4-second trial for ignition
- Flame is sensed, gas valve remains open for the heat call.
- After 30-second delay (from flame sensed), A92 integrated control applies 24VAC to Heat speed of B3 indoor blower.
- When heat demand is satisfied, W1 of the indoor thermostat de-energizes W of A92integrated control which de-energizes GV1 gas valve. B6 combustion air inducer continues a 5-second post-purge period, and B3 indoor blower completes a selected OFF time delay.

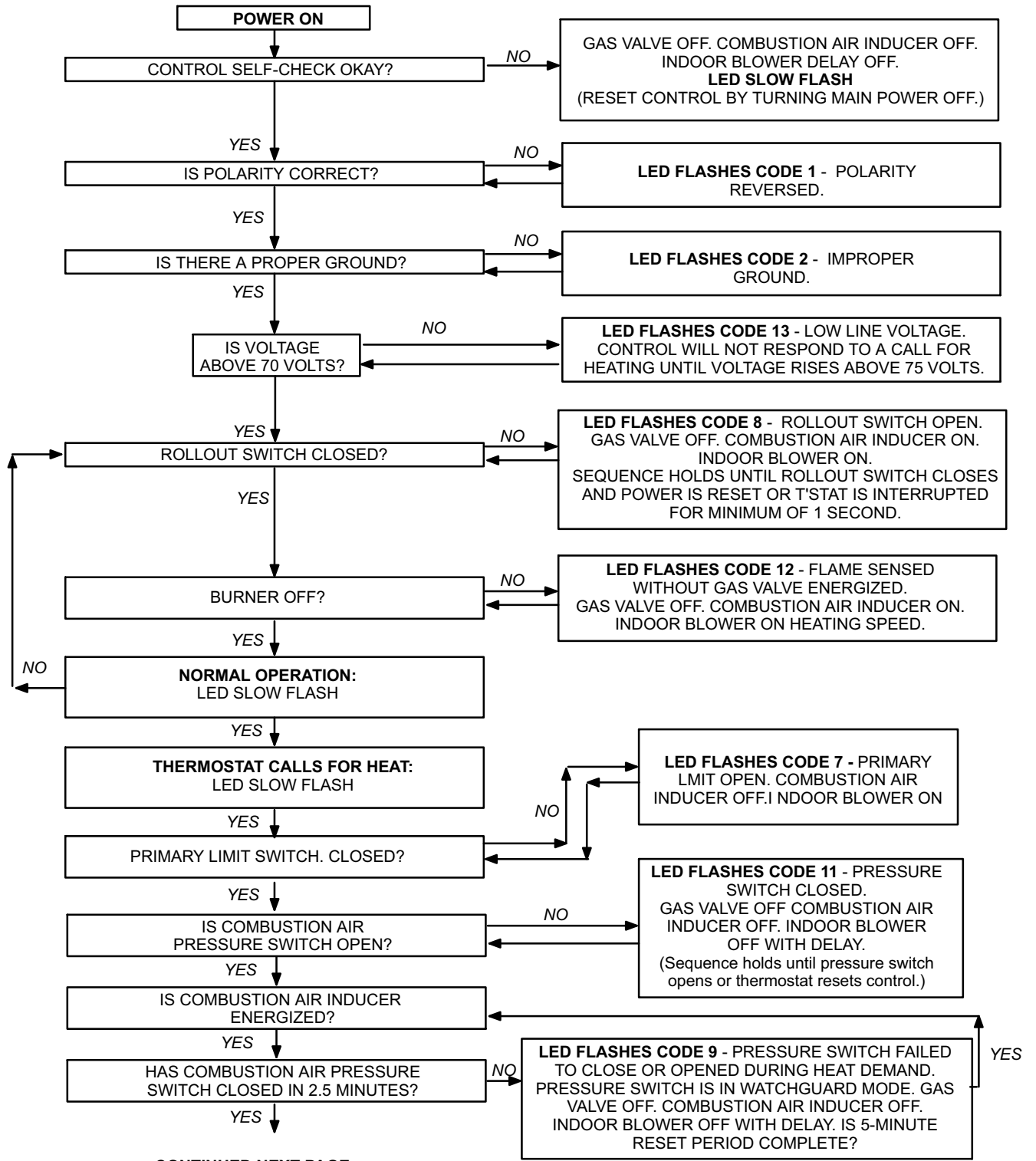


- Line voltage is applied to L1 and N. the T1 low voltage transformer is energized, and line voltage is applied to B3 indoor blower.
- S47 rollout switch(es) must be closed in order for 24V from transformer to be output on integrated control "R" to power thermostat.
- When there is a call for heat, W1 of the thermostat energizes W of the furnace control with 24VAC.
- A92 integrated control runs a self-check. S10 primary limit and S21 secondary limit contacts are found to be closed. Call for heat can continue.
- A92 integrated control energizes B6 combustion air inducer. S18 combustion air pressure switch closes . Once S18 closes, a 15-second pre-purge follows.
- A92 integrated control energizes R33 ignitor. A 20-second warm-up period begins.
- GV1 gas valve opens for a 4-second trial for ignition
- Flame is sensed, gas valve remains open for the heat call.
- After 30-second delay (from flame sensed), A92 integrated control applies 24VAC to Heat speed of B3 indoor blower.
- When heat demand is satisfied, W1 of the indoor thermostat de-energizes W of A92integrated control which de-energizes GV1 gas valve. B6 combustion air inducer continues a 5-second post-purge period, and B3 indoor blower completes a selected OFF time delay.

HEATING SEQUENCE OF OPERATION

NORMAL HEATING MODE

ABNORMAL HEATING MODE

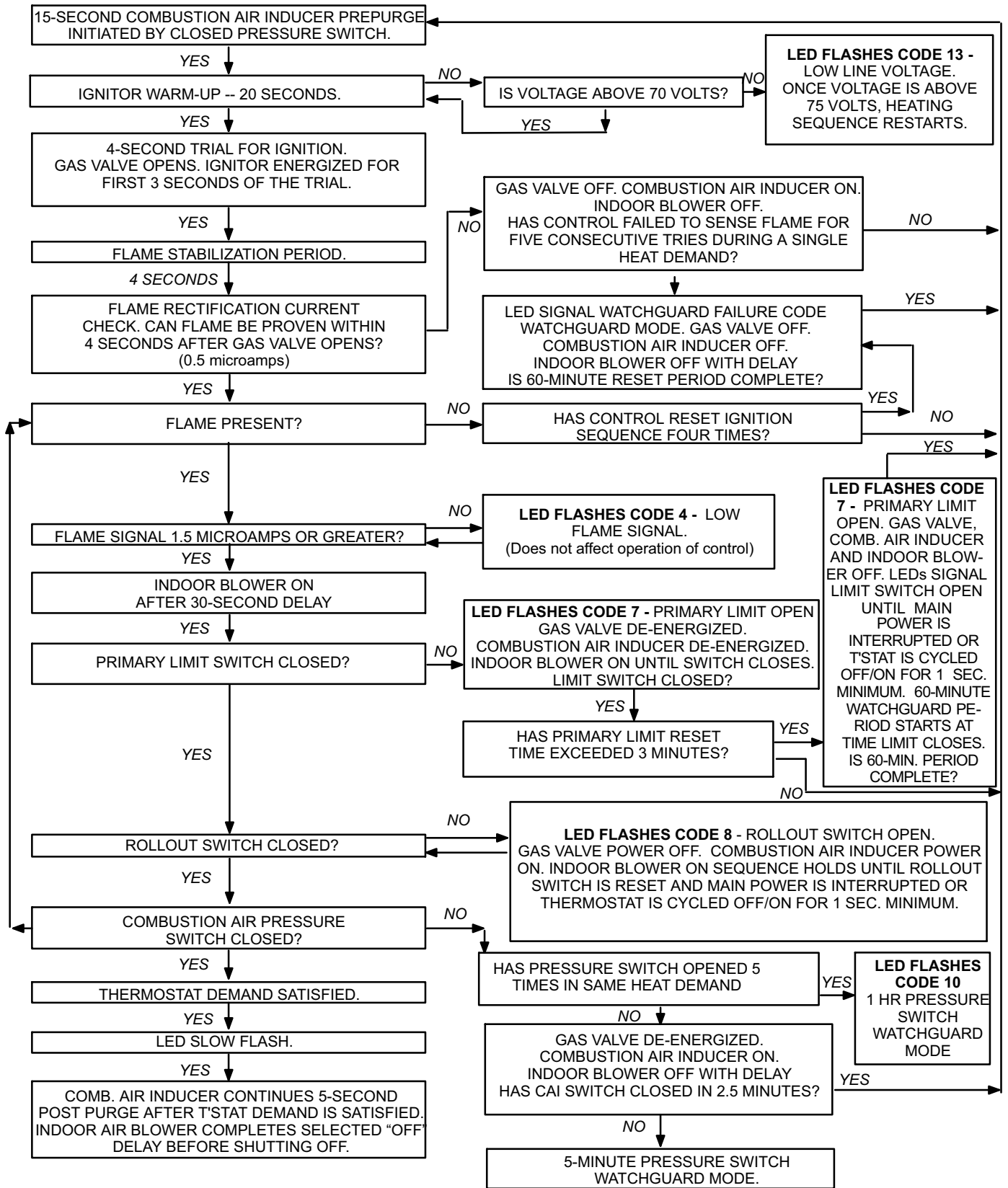


**Troubleshooting: Heating Sequence of Operation (Continued)**

**HEATING SEQUENCE CONTINUED**

**NORMAL HEATING MODE**

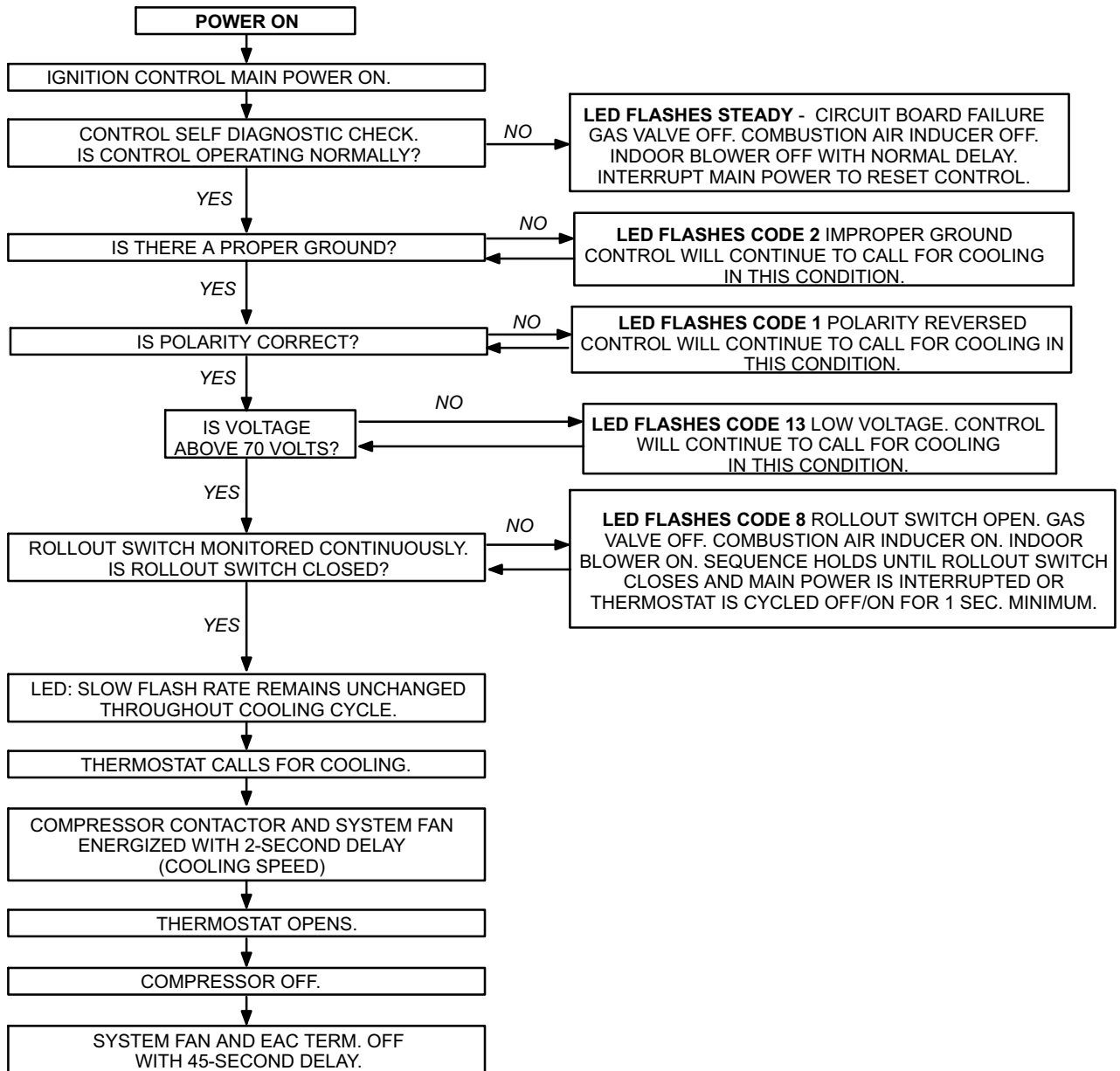
**ABNORMAL HEATING MODE**



**COOLING SEQUENCE OF OPERATION**

**NORMAL COOLING MODE**

**ABNORMAL COOLING MODE**



**CONTINUOUS FAN / ACCESSORIES SEQUENCE OF OPERATION**

